

WARNING

Conversion of this unit to natural gas must be carried out by a qualified licensed person and a Certificate of Compliance must be issued to the owner on completion of the installation and conversion. Conversion of this barbecue by unlicensed persons may result in improper functioning of the appliance, injury, property damage and may affect your ability to make a claim under the manufacturer's warranty.

Converting the unit to natural gas

This barbecue is set up for LPG gas and is labelled accordingly. A natural gas conversion kit is available as an accessory if required.

The components in the kit are:

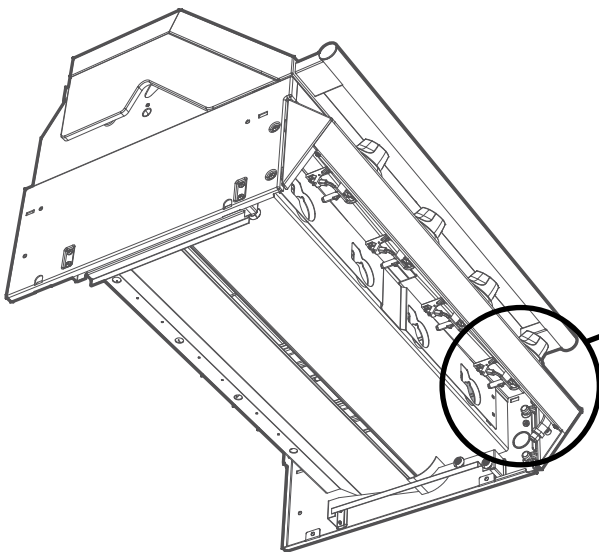
- 6 x brass injectors (natural gas)
- 700mm hose with 1/2" male pipe thread at one end and 3/8" SAE Flare with 5/8-18 UNF female thread at the other end
- Natural gas regulator with 1/2" female pipe threads on inlet and outlet
- 1500mm hose with 1/2" male pipe thread at one end and quick connect at the other end
- 2000mm tether (mobile use only)
- Natural gas sticker

1. Replace 'gas type' sticker

- Locate LPG gas sticker located on the lower face of the control panel and remove it. Put natural gas sticker in its place

2. Change the injectors

- Remove the burners and grease tray from the appliance to gain access to the injectors

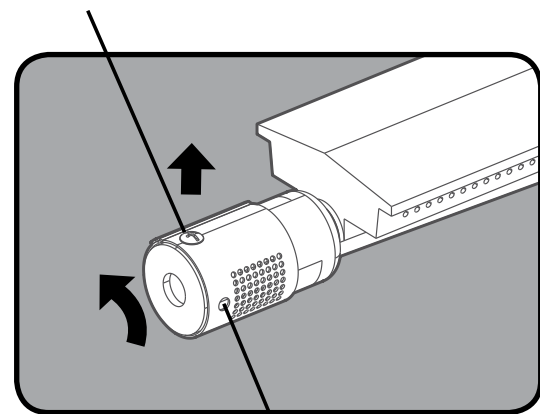


- Unscrew the LPG injectors and replace with natural gas injectors on all valves. All injectors are marked with the orifice size
- Do not overtighten injectors

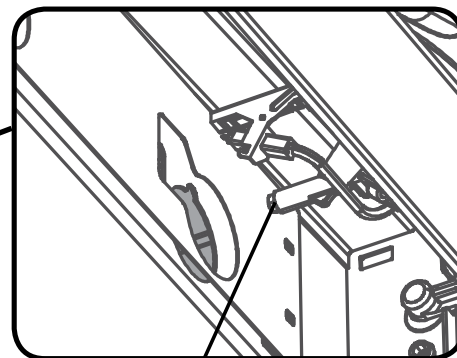
3. Change the aeration shutter

- Remove the burners from the appliance
- Remove the locating screw from the aeration shutter
- Slide the aeration shutter off the burner and then refit using the natural gas location hole
- Repeat this procedure on all burners and then reinstall back into the appliance

Locating screw



Natural gas location hole



Remove LPG injector and install injector for natural gas

4. Connecting the appliance to a natural gas supply

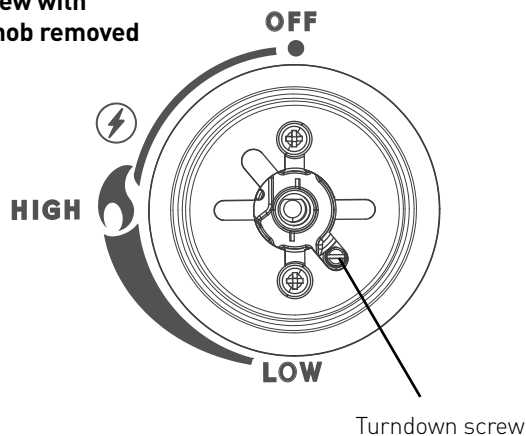
- The appliance shall be installed in accordance to AS/NZS5601 gas installations and any relevant local gas fitting rules
- Remove the fitted LPG gas bottle hose and regulator from the adaptor mounted to the semi-rigid appliance pipe
- Connect the conversion kit hoses and natural gas regulator. Ensure the flow arrow on the regulator points towards the appliance
- Carry out a leakage check on all connections

5. Adjust the turndown setting on the valve

NOTE: The final step in the conversion of the barbecue to natural gas is the adjustment of the turndown setting.

- Light each burner and rotate the control knob to the lowest setting, then remove the knob from the valve shaft
- Using a small flat-blade screwdriver adjust the turndown adjustment screw to achieve a small steady flame on the burner

View with
knob removed



- Replace the knob
- Recheck the operation of the burner at the maximum and turndown
- Repeat procedures for all valves