

# Dimension Guide

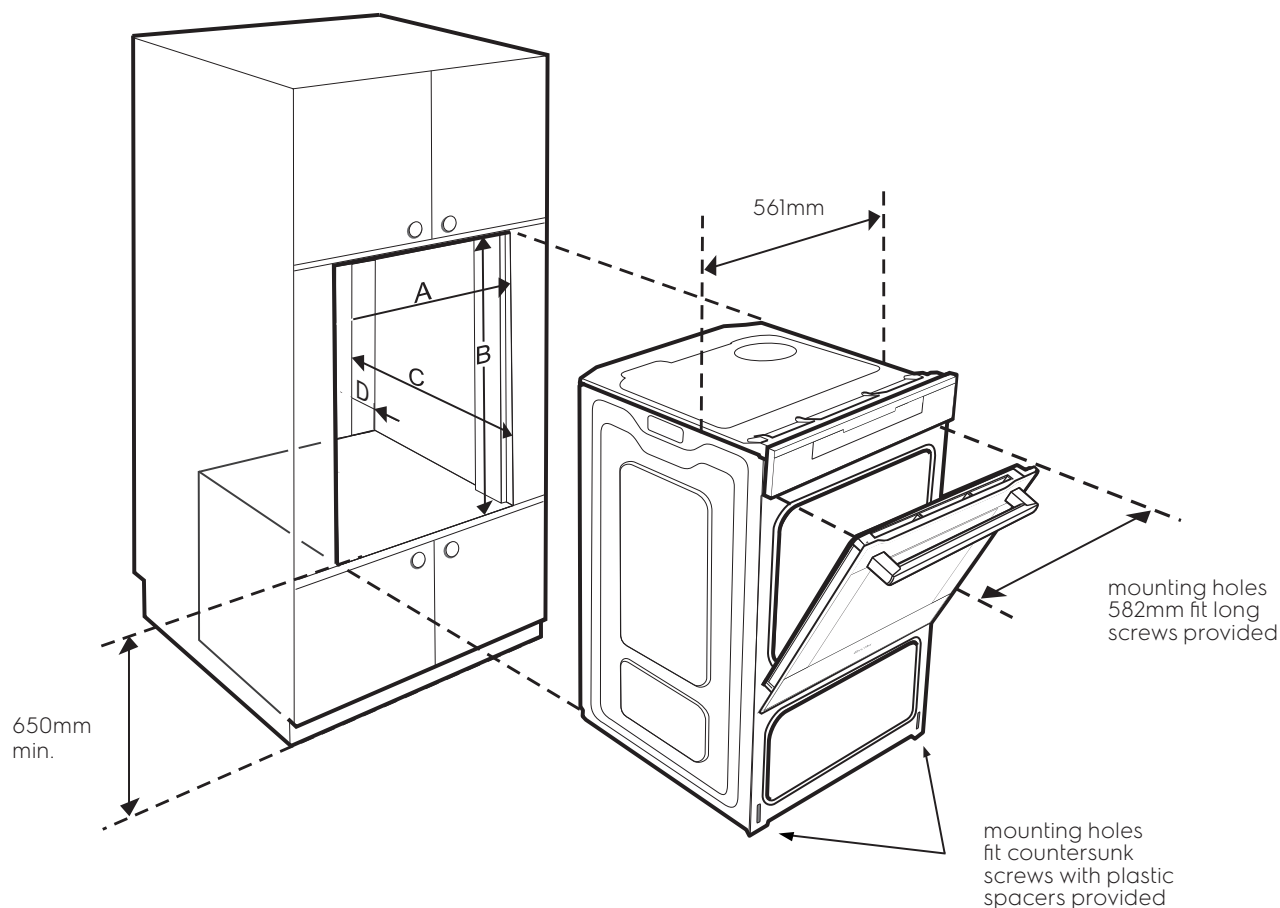
## Built-in ovens / wall

### Models:

EVEP626SD  
EVEP626DSD  
EVE626DSD

### Duo cut-out dimensions

Type of fit	A (width)	B (height)	C (depth)	D*
Flush fit (mm)	600	893	581	20



**Please note!** Dimensions to be used as a guide only. All customers MUST refer to the user manual supplied with the product for detailed installation instructions.

#### \* D - Dimension

For proper ventilation there must be a gap at the bottom rear of the cabinet. This can be a slot 20mm deep or an equivalent, full width opening (e.g. a series of holes) with a min area of 120cm<sup>2</sup>. The opening must be clear of the product when fully installed. This is a requirement of any EVEPxxxx and Duo models. If the supply cord is damaged it must be replaced by the manufacturer, its service agent or similarly qualified persons in order to avoid a hazard.

© 2019 Electrolux Home Products Pty Ltd. EDIM\_DuoOven\_Jan19