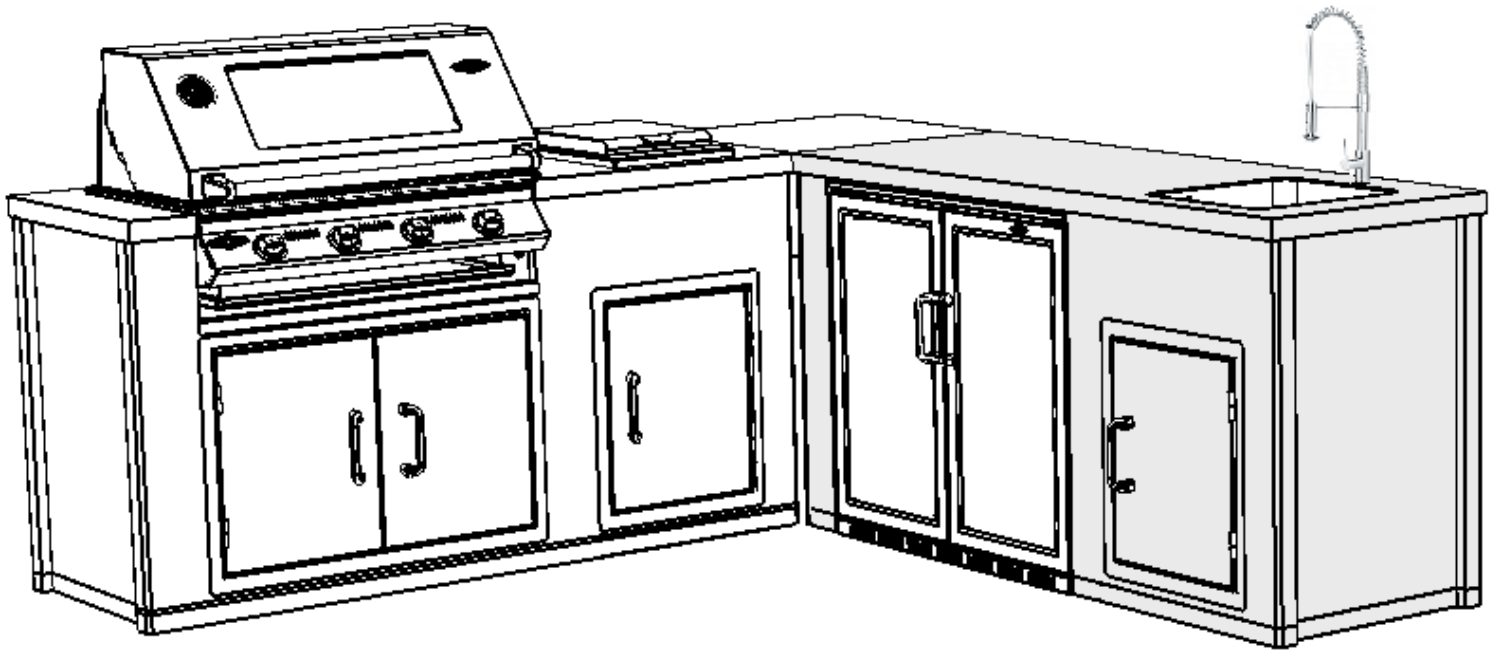


BeefEater

Free-Standing Outdoor Kitchen Fridge Cabinets Assembly Procedure



For outdoor use only!



IMPORTANT INFORMATION

These instructions should be read in conjunction with the user manual. Adherence to the directions for use in the user manual is extremely important for health and safety. Failure to strictly adhere to the requirements in the user manual may result in personal injury, property damage and affect your ability to make a claim under the manufacturer's warranty provided with your product. Products must be used, installed and operated in accordance with the user manual.

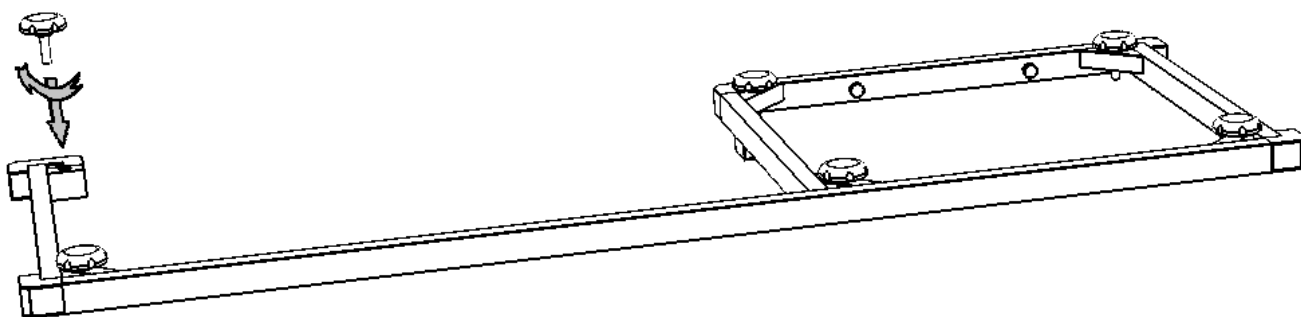
To assemble each of the cabinets follow these steps:

Tip: it is best to assemble these cabinets as close as possible to where they will be used.

ASSEMBLY:

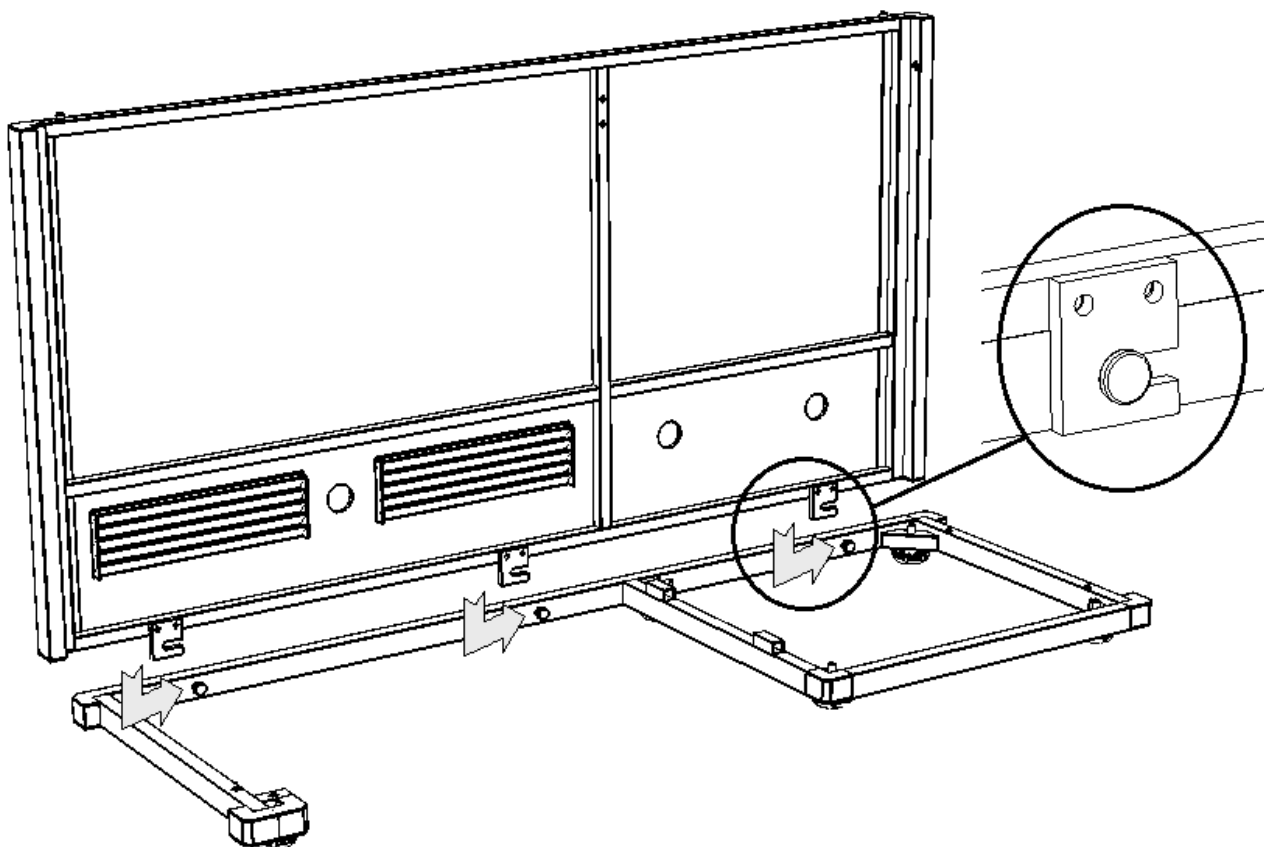
Step 1:

Lay the Base Frame of the cabinet on the ground upside down, and screw the 6 legs to place. Screw each leg all the way in, then Turn base back to normal position with the legs down.



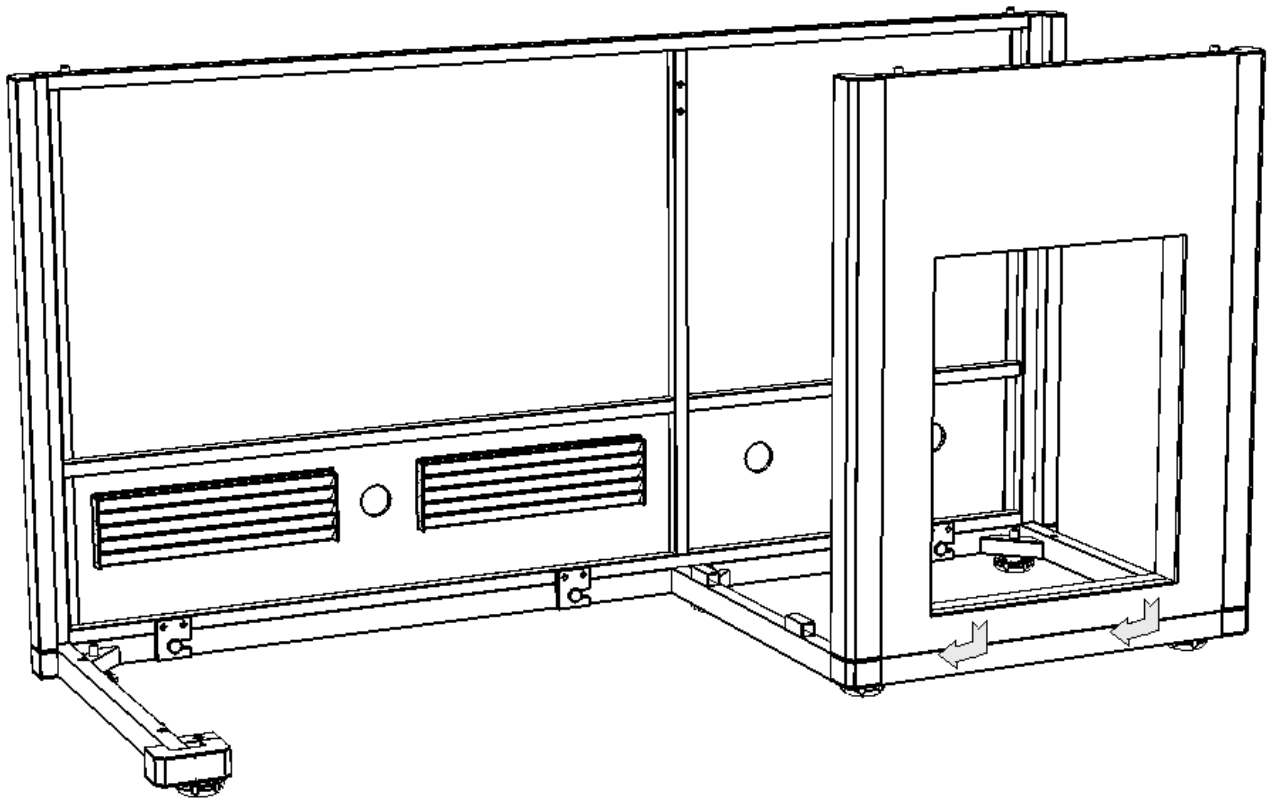
Step 2:

Position the Back panel in over the Base panel, and lock to place by engaging into the hooks sideways:



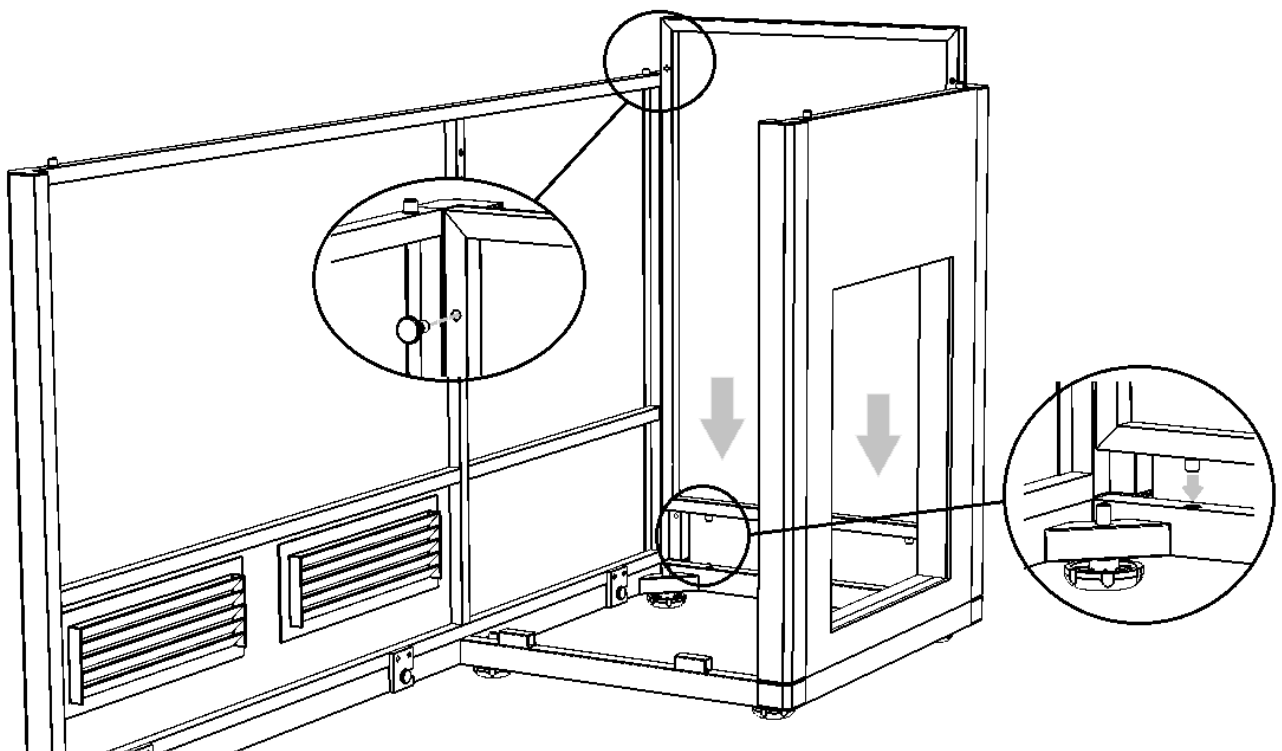
Step 3:

In a similar manner to Step 2, position the Front panel on the Base, and lock to place:



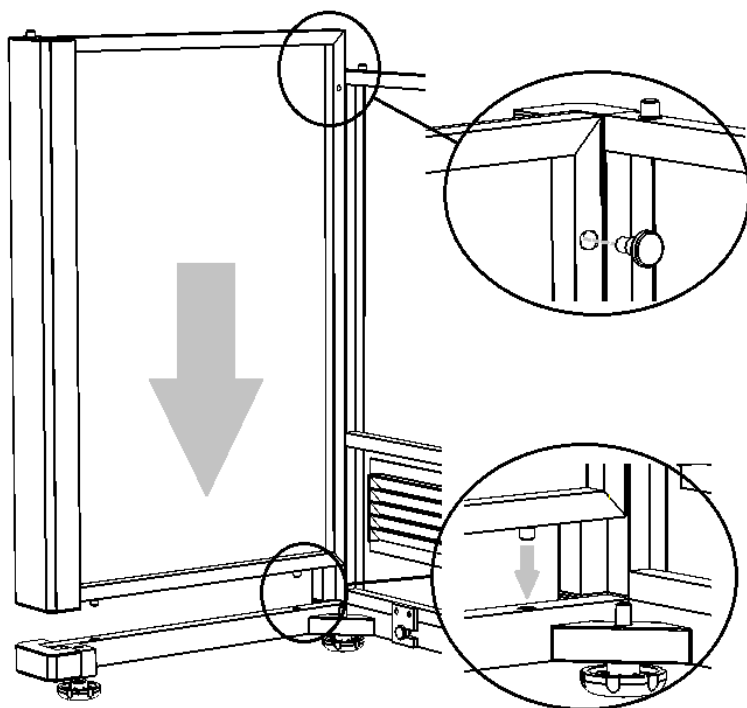
Step 4:

Lower the RH Side Panel in between the Front and Back panels on the inside. Engage the two pins on the bottom, and lock to place with 2 screws on the top.



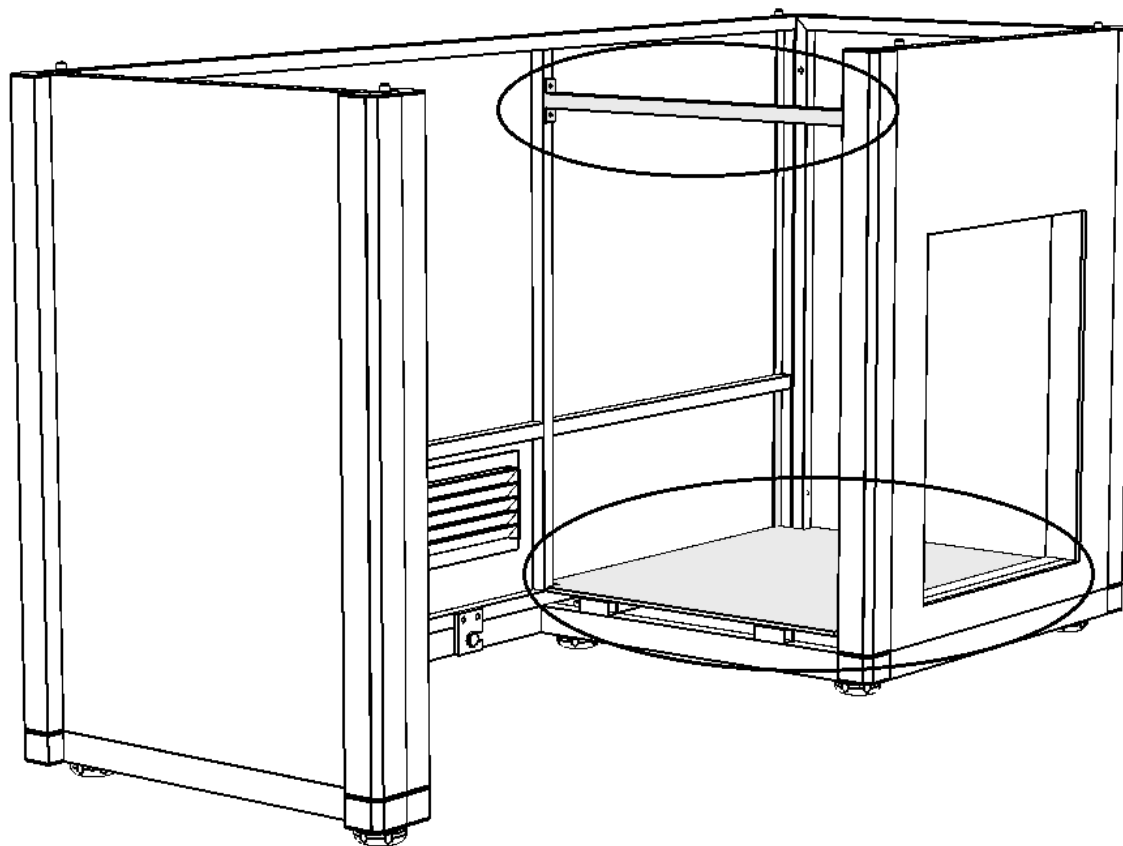
Step 5:

Assemble the LH Side panel to base and back panel. Secure to back panel with a screw on top:



Step 6:

Secure the centre-Brace with 4 screws, and put the bottom panel in place:

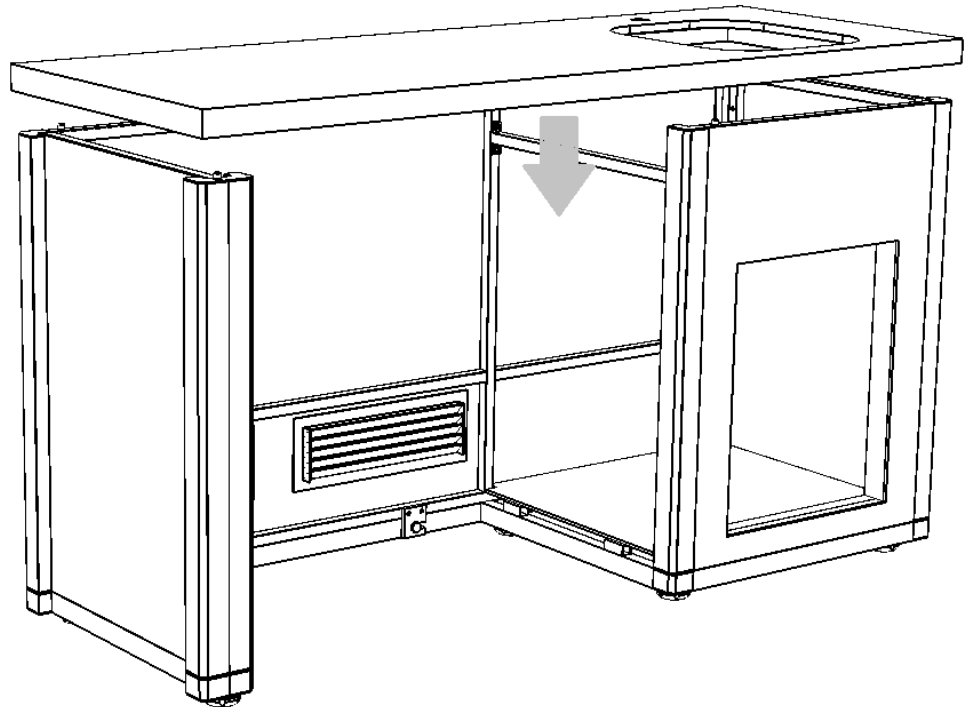


Step 7:

Place the Benchtop over the frame.

Note: it may be more prudent to place the cabinet in it's final position level it, and bring in all services before placing the Benchtop.

Ensure all feet are in contact with the ground properly.



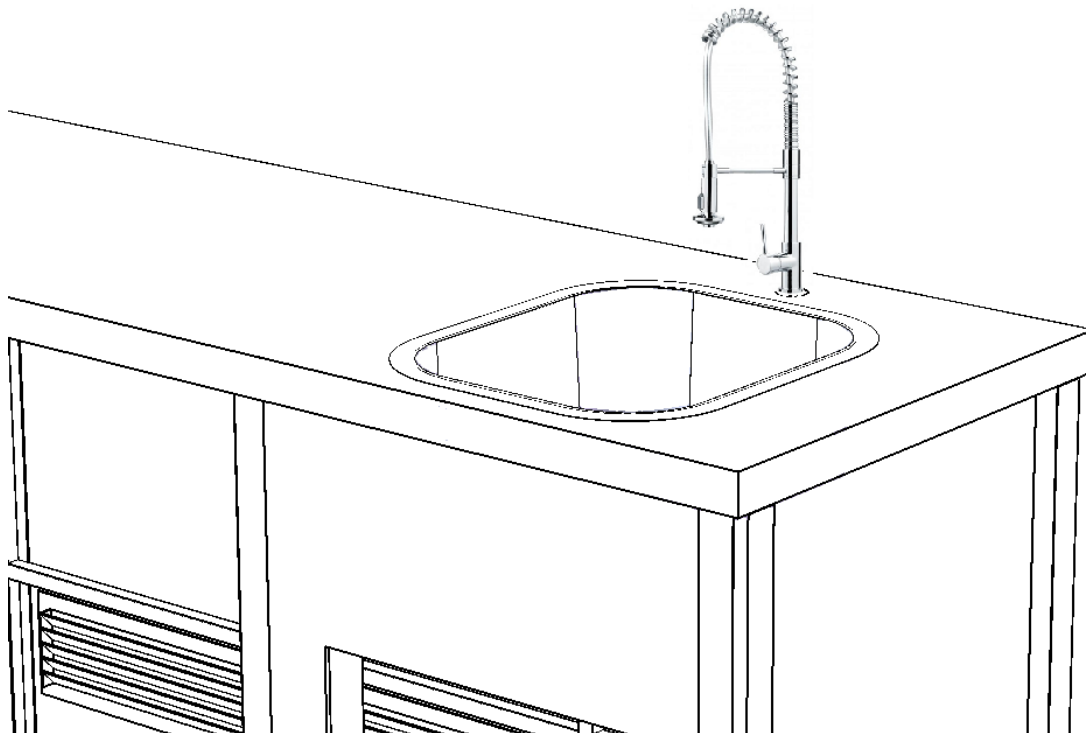
Note:

The pins at the corners of the cabinet sides need to fully engage with the Holes at the benchtop's underside.

Step 8:

Assemble the Sink and Tap.

Slide the Fridge to place

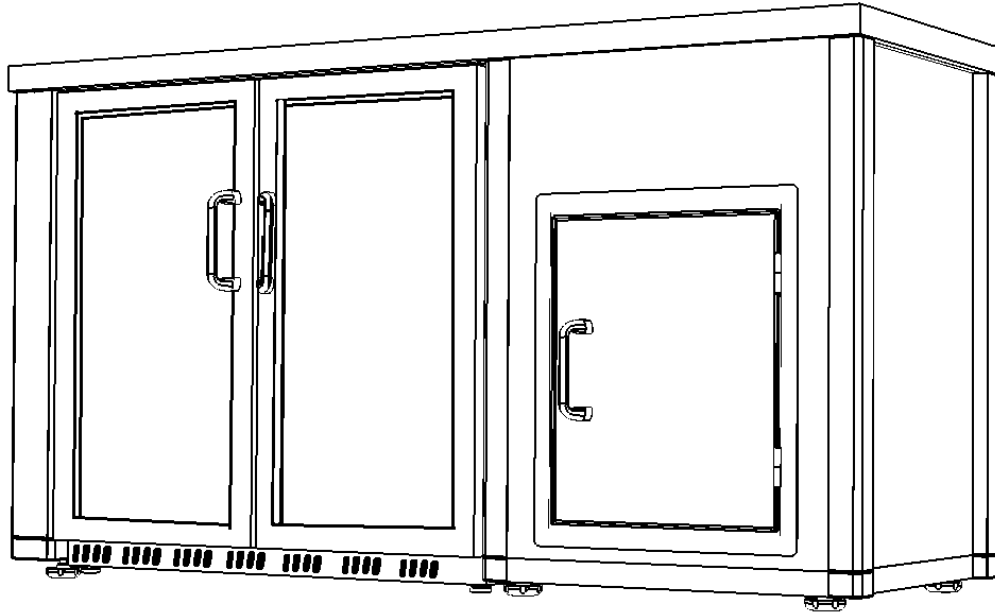


Step 9:

Assemble the door.

The frame of the door fits the opening in the cabinet, and is secured to place with the fasteners supplied.

You may also follow the instructions supplied with the doors.



For more information about the Fridge, please refer to the instruction book supplied with the appliance.

Openings for the supply of services such as power, water and drainage are provided at the rear of the unit. Please ensure these correspond to the position of the services as apply to your particular installation.



NOTE: When considering the position of your Outdoor Kitchen, ensure the Fridge is never exposed to direct sunlight.

CARE AND MAINTENANCE

The BeefEater Outdoor Kitchen is made out of durable and sturdy materials, and designed to withstand the wrath of time, however keeping it away from the elements, and only cleaning with mild detergents warm water, and soft-bristle brush, will extend its life, and help in keeping it looking better for longer.

The granite benchtop can be cleaned with warm soapy water, using mild detergent, and no caustic or abrasive materials.

Side panels are only to be lightly sprayed with warm soapy water, and rinse with gentle spray of clean water. Do not wipe, rub, scrape, or otherwise scratch the panels.

TECHNICAL INFORMATION



Note: Do not modify the BeefEater Outdoor Kitchen. Any deviation from factory structure could result in dangerous situations, and cause the voiding your warranty.

Dimensions [mm]	Width (Cabinet only)	Height (Cabinet only)	Depth (Cabinet only)	Weight [Cabinet only]
Single-Door Fridge Cabinet	1335	900	600	76 kg
Double-Door Fridge Cabinet	1645	900	600	91kg

SERVICE ASSISTANCE:

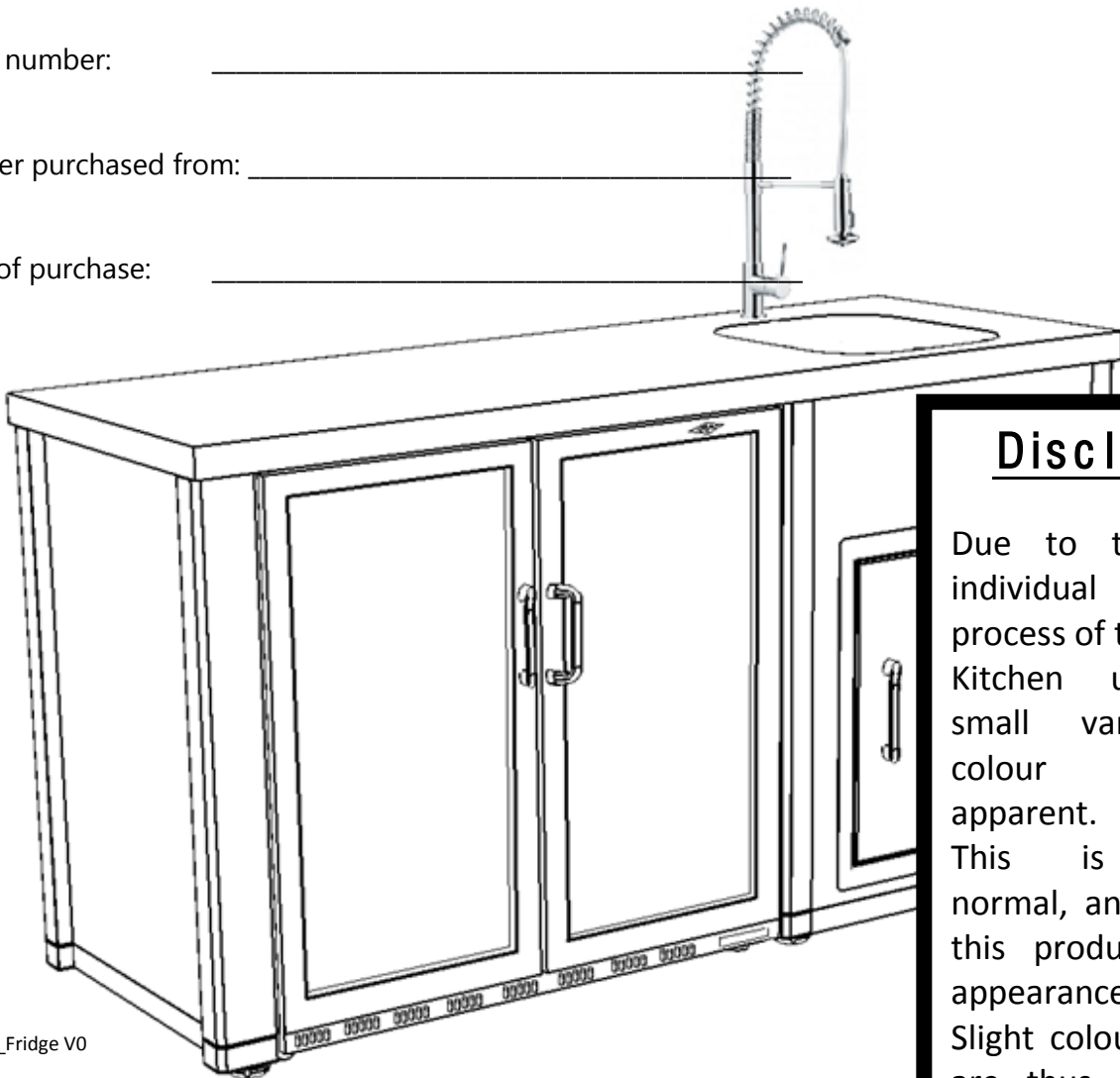
To assist you when contacting your after-sales service agent and to arrange for service, please complete the following details and have them ready when you call. You do not need to register your warranty. However, you must retain your receipt or proof of purchase. When claiming warranty for this product you must provide a copy of your proof of purchase receipt. No claims for warranty will be accepted without proof of purchase.

Model: _____

Serial number: _____

Retailer purchased from: _____

Date of purchase: _____



Island_Inst_Fridge V0

Disclaimer

Due to the special, individual coating process of this Outdoor Kitchen unit, some small variations in colour may be apparent.

This is perfectly normal, and is part of this product's unique appearance.

Slight colour variations are, thus, not covered by warranty!

Images in this manual are for illustrative purposes only. Due to constant improvement, BeefEater advises that changes to the design, material, specifications and product configuration may occur at any time without notice.