



Quick Start Guide

60cm Ovens

EVEP618DSE

EVEP619DSE



Electrolux

Welcome

Dear Customer,

Thank you for purchasing an Electrolux oven. The product you have chosen was designed to enhance your life with its smart features and intuitive cooking functions. Follow this guide to start enjoying cooking great tasting food with your new oven.

Before you start, please make sure:

- Your oven has been correctly installed by a qualified person.
- Your oven has power and is switched on.
- You've removed all relevant packaging.



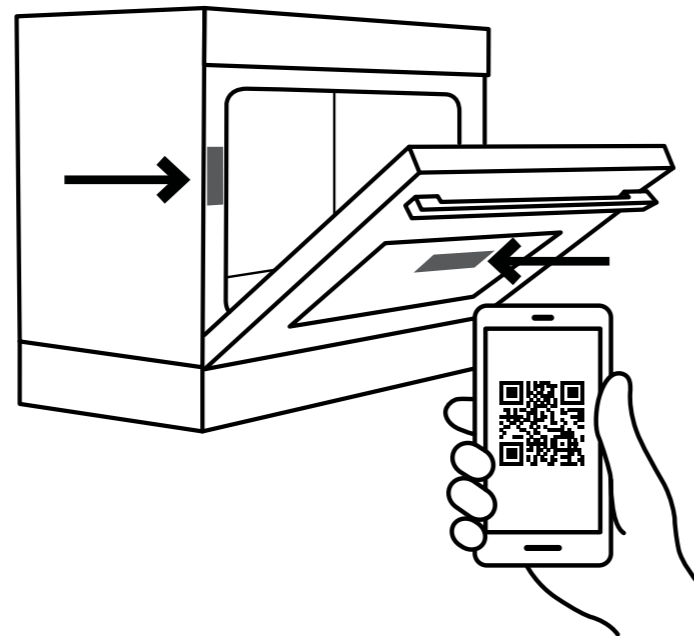
Most of the packaging materials can be recycled. Please dispose of them at your local recycling centre or in your own recycling bin.

Register your oven

Protect your investment and enjoy peace of mind

Stay updated on better living services, safety notices and shop for accessories.

1. Open the camera App on your smartphone and point at the QR code to scan. Product Registration QR code is located on the front of your appliance or inside the door rim*.
2. Tap the notification or link to open the registration form.
3. Complete your details and enjoy peace of mind.



*Exact location of QR code may vary depending on oven model.

Setting up your oven's accessories Get it ready for use

Install oven racks and shelves.

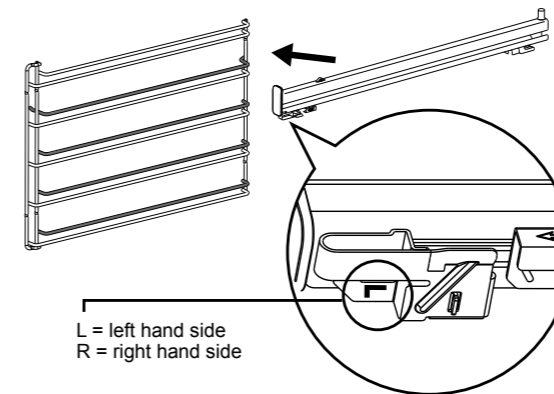
Attach the telescopic slides to the side racks

Standard and Pyro-proof telescopic slides are installed differently. Please refer to the instructions which are relevant to your oven model below.

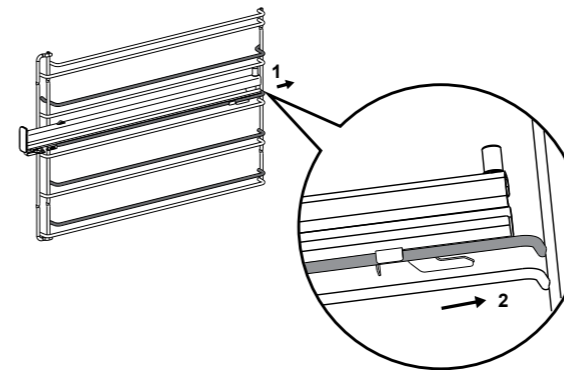
OR

Standard slides (EVEP618DSE)

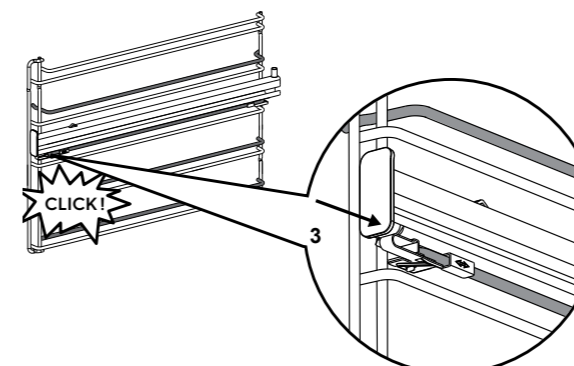
Obtain left hand side rack and left hand slide - see image to identify.



The shaded wires indicate the wire the slide can be mounted on. Fit slide rear clips to the rear of wire at an angle as shown below.

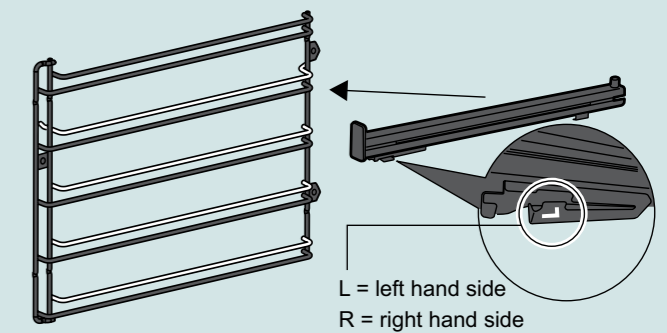


Push slide front clip over wire until secured.

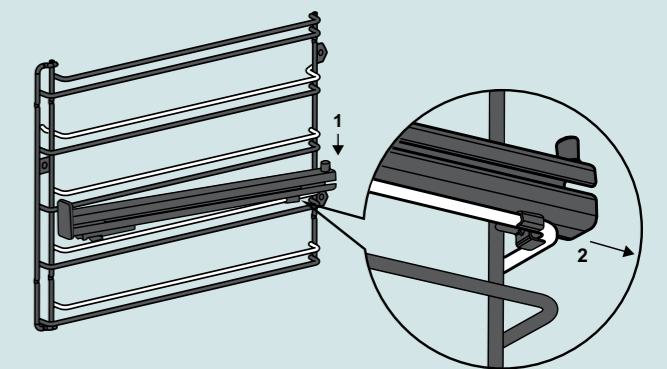


Pyro-proof slides (EVEP619DSE)

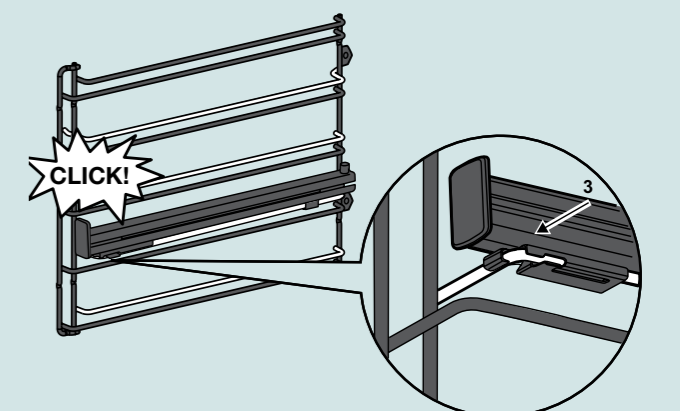
Obtain left hand side rack and left hand slide - see image to identify.



The unshaded wires indicate the wire the slide can be mounted on. Fit slide rear clips to the rear of wire at an angle as shown below.



Push slide front clip over wire until secured.



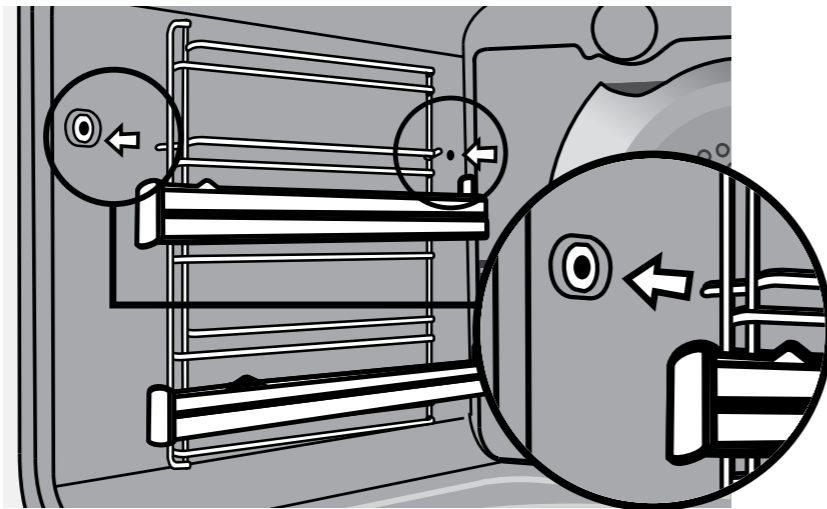
Fix the side racks:

Standard and Pyro-proof side racks are installed differently. Please refer to the instructions which are relevant to your oven model below.

Standard side racks

(EVEP618DSE)

- Insert the rear peg in the rear access hole ensuring the peg is fully inserted.
- Then, insert the front peg into the front access hole and push in firmly.

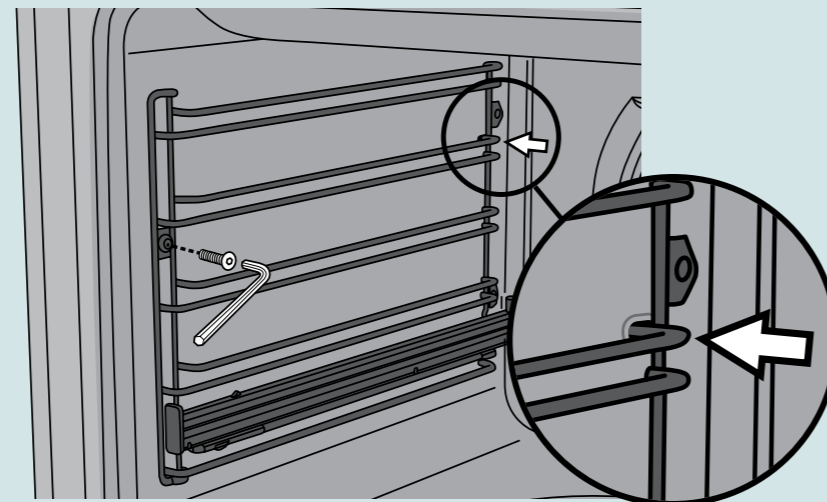


OR

Pyro-proof side racks

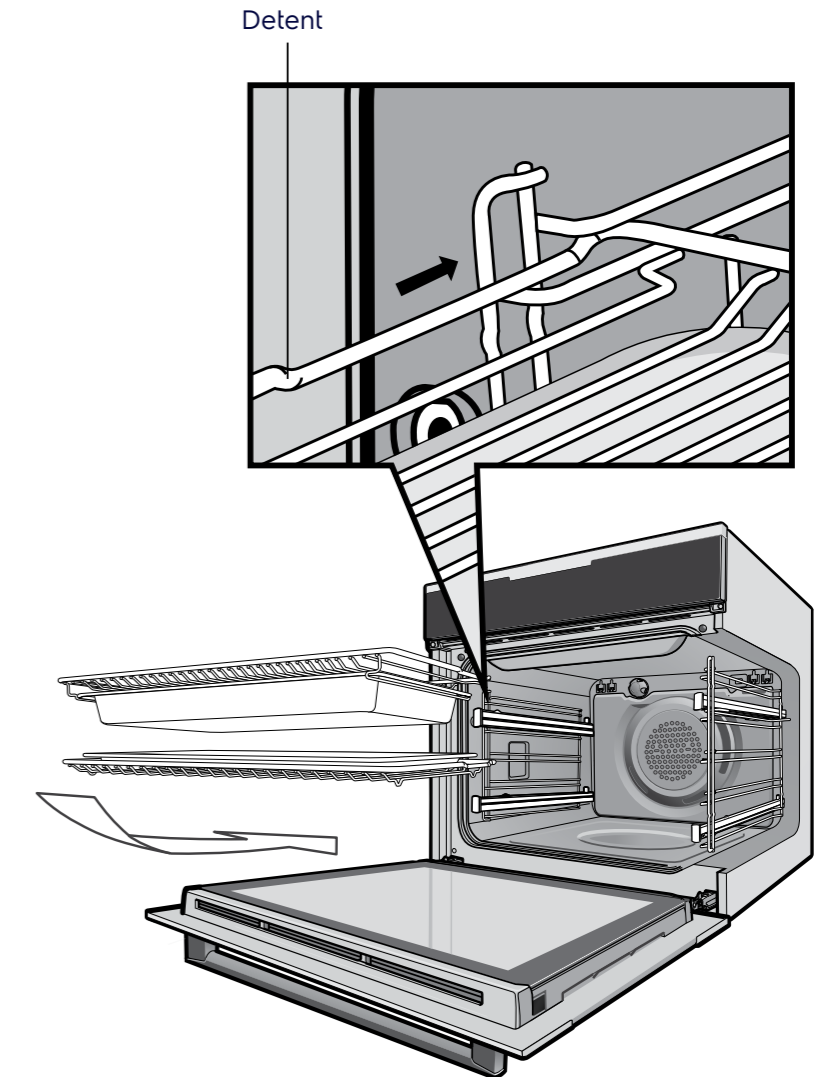
(EVEP619DSE)

- Insert the rear peg in the rear access hole ensuring the peg is fully inserted.
- Then, locate the front screw hole and insert the screw.
- Tighten with the Allen key.



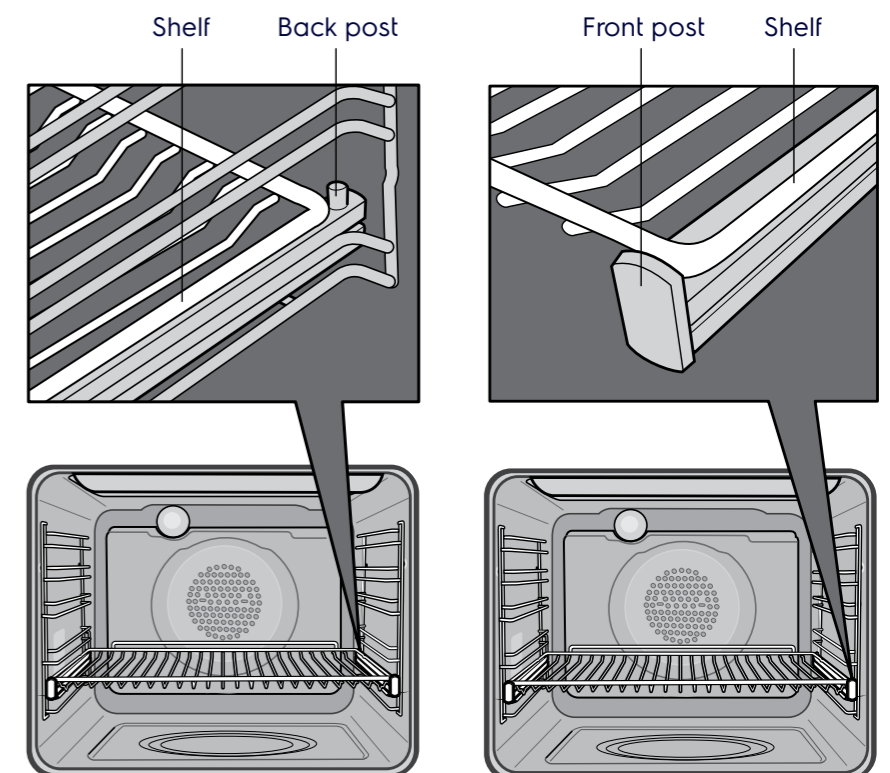
Fit oven shelves

- Locate detents on the side wires of the shelf as indicated in the diagram to the right
- Align shelves evenly on both oven sides and slide shelf between guide rails.
- Ensure the shelf is fully inserted, does not interfere with oven door closure.



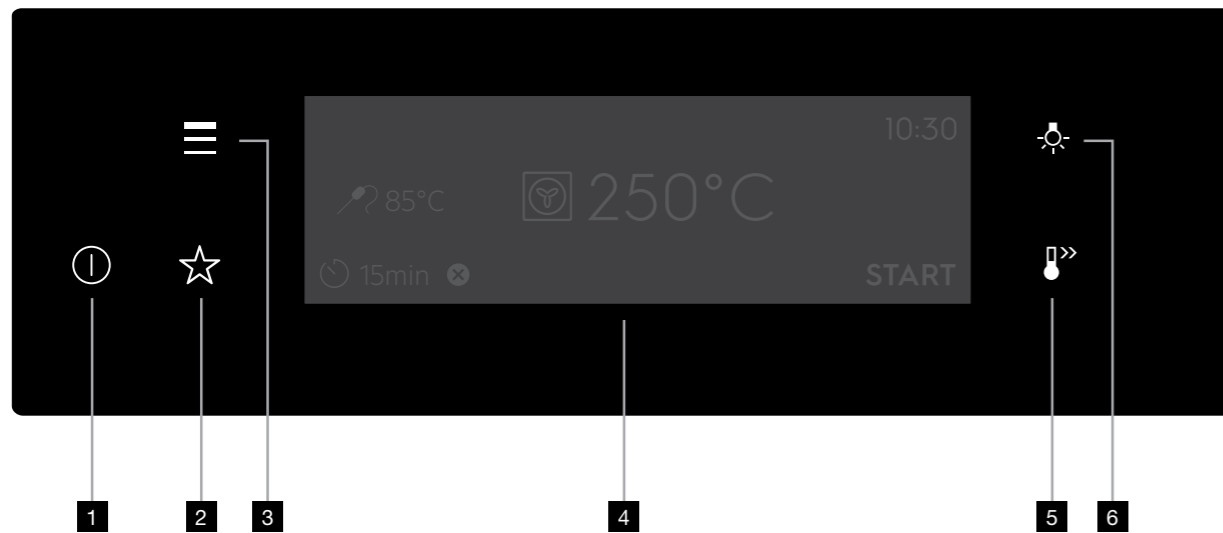
Fit the shelf/tray to the telescopic slides

- Push the shelf or tray along the top of the telescopic slide to the back post, as shown in the diagram to the right
- Drop the front of the shelf or tray onto the telescopic slide ensuring it sits behind the front post, as shown in the diagram to the right
- When fully inserted, the shelf or tray should not obstruct the closed oven door.



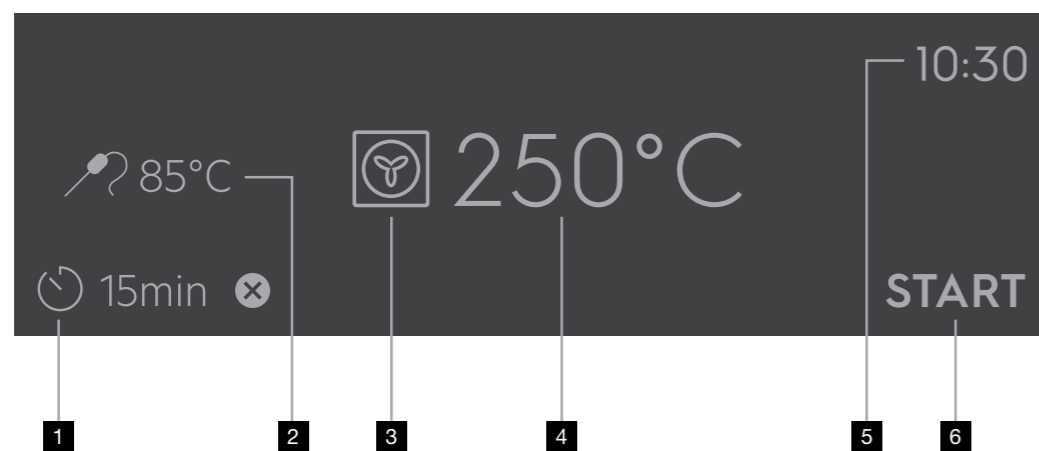
Oven controls Get to know your oven's control panel

First of all, familiarise yourself with your oven's control panel.



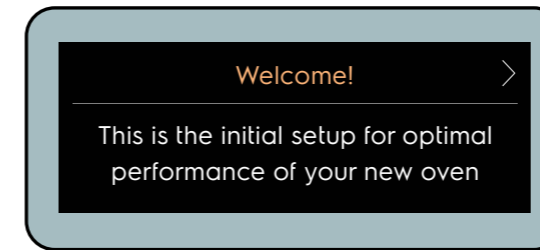
- 1** On/off button (Press and hold)
- 2** Favourite button
- 3** Menu button
- 4** Touch screen display
- 5** Fast heat up button
- 6** Light button

Next, familiarise yourself with the touch screen display.



- 1** Timer
- 2** Smart Food Probe Sensor temperature
- 3** Heating function
- 4** Oven temperature
- 5** Time of day
- 6** Start/stop

Initial oven setup Optimise your oven's performance



The first time you use your oven, there will be an initial set up required. Follow the steps as prompted in the display to select your preferred options.

Conditioning your oven



New appliances may have a smell and some residue. For the first use, it is recommended to heat your oven with/without all accessories before cooking to remove the smell and burn off any residue.

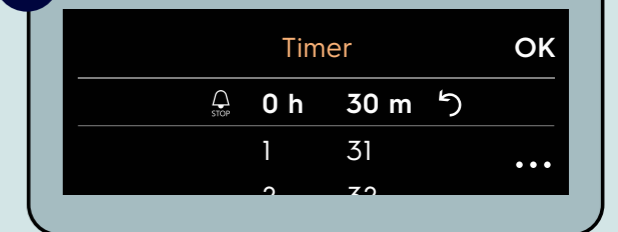
- Select Fan Cooking function.
- Set the temperature to 180°C and run for approximately 30 minutes.

Note: the oven may emit odour or smoke during the heating process, so be sure the kitchen is well ventilated during the conditioning process.

1



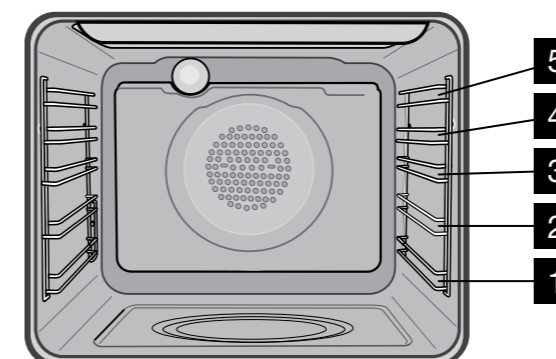
2



Ready, set, cook! Your oven is now set up. Here are a few hot tips

Pre-heat the oven for best results

Always pre-heat your oven to the desired temperature before cooking to maintain a consistent temperature for the entire cooking time. For best baking results, we recommend that you pre-heat your oven for approximately 30 minutes.



Oven shelf locations

The oven has five positions for shelves (as shown in the diagram). As a general guide we suggest giving maximum space above and below the shelves. Eg. When cooking with one shelf, position at 2 or 3. When cooking with two shelves, position them at 2 and 4.

This can vary depending on food being cooked and function used. We have offered a shelf position guide to use. However, to increase base browning simply lower the shelf position. To increase top browning, raise the shelf position. See full user manual for additional tips.

Ready, set, cook! Continued

Brief overview of common oven features and functions

Note: Oven functions marked with * may not apply to all models.



Fast heat up

This function can be used to shorten the pre-heating time of the oven to the set temperature for some cooking functions.



Smart Food Probe Sensor

The Smart Food Probe Sensor measures the core temperature of food and allows you to enjoy perfectly cooked meal every time.



Traditional Bake

Use to bake a single tray of biscuits, scones, muffins, cakes, slices, casseroles, baked puddings, roasts and delicate egg dishes. Shelf guide: position 3.



Fan Cooking

Use when cooking on multiple shelves at the same time and when reheating foods and full meals. The Smart Food Probe Sensor can be used with this function. Shelf guide: position 3.



Pizza

Pizza setting is ideal for cooking and browning the base of foods such as pizza, quiche, and pies. Place in the middle of the oven and select the desired temperature. Shelf guide: position 1.



Cook From Frozen

This function can be used to give frozen convenience foods crispy textures, such as fries, potato wedges or spring rolls. Shelf guide: position 3, 4 or 5.



Pastry

The Pastry function is used to brown the bases of pizzas, pies and pastries. Cook in the lower half of the oven when you are using only one shelf. Shelf guide: position 1.



Grill

Grill steak, chops, sausages, fish, toasties and other fast cooking foods. Preheat for three minutes for best results. Grill with oven door closed. Shelf guide: position 4 or 5.



SteamRoast

Great for roasting meats, poultry and fish, this function provides even cooking throughout and enhanced browning.

Ready, set, cook! Continued



Grill Boost

Grill Boost allows you to take full advantage of the large grill dish area and cooks faster than the Grill function. Shelf guide: position 4 or 5.



SteamBake

Adding steam to your baking program can lift your baking skills to a whole new level. Shelf guide: position 3.



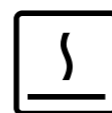
Fan Grill

This setting is ideal for roasting large cuts of meat and there is no need to turn food. Use Fan Grill with the oven door closed. Shelf guide: position 2.



AirFryPlus*

Using the dedicated tray with this function delivers great tasting foods that are crisper with juicy centres. Shelf guide: AirFryPlus Tray position 3 and catch tray position 1.



Keep Warm

A low temperature oven setting that keeps food at an ideal serving temperature without cooking it further. If the oven is too hot, this function will not be available. Shelf guide: position 3.



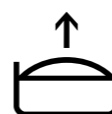
Slow Cooking

Use this mode for slow cooking meats and poultry to enjoy tender, succulent slow-cooked roasts. Shelf guide: position 3.



Defrost

Thaw your food before you cook it or use the Defrost function to raise yeast dough, and even dry fruit and herbs. Shelf guide: position 3.



Dough Proving

Bakers will love the dough proving function. It prevents dough from drying out and retains elasticity. Shelf guide: position 2.



Pyrolytic Cleaning*

Pyro cleans by burning off accumulated spatters, dirt and grease off the oven liner, at high temperature; producing ash to be wiped out of the oven cavity. **Note:** the oven will lock when this function is enabled.

Steam Assisted Cooking

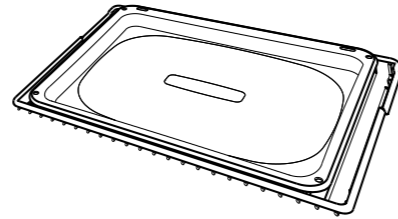
Steam works in harmony with traditional oven heat to enhance flavours and textures in your cooking. So you can now take all your favourite recipes – and plenty of new ones – to a delicious new level. From the most succulent meats to bakery-quality bread at home, with steam it's simple to enjoy great results, every time.

Experience steam assisted cooking with SteamBake

With SteamBake, you can create bakery-style bread in your own home. The added steam allows dough to rise more effectively than conventional heating. The steam helps to create an exquisitely soft centre, while the combination of hot air delivers deliciously glossy crusts.

Follow these simple steps to learn how to use your oven's **SteamBake** function:

Before you start, you will need these accessories:

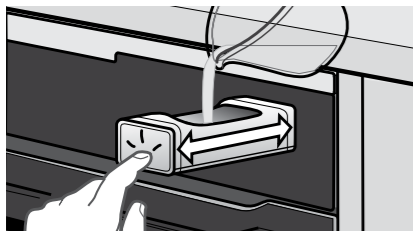


Baking Tray with shelf



Caution: When steam functions are in process, take care when opening the oven door. Open the door slightly and stand back to let the steam escape before fully opening to avoid the risk of burns.

Step 1



- Press the cover of the water drawer to open it.
- Fill the water drawer with water up to the maximum level (approximately 950ml).
- Push the water drawer back to its initial position.

Note: Do not fill the water tank over the maximum level. If the tank is overfilled, the excess will flow into the oven. Sponge up the overflow if it occurs.

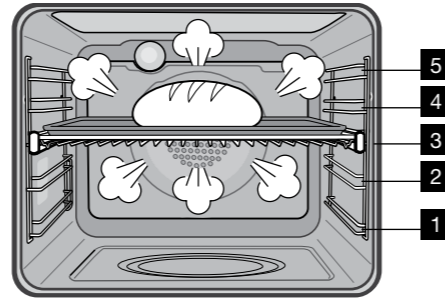
Step 2



- Turn on the oven.
- Select **Steam Assist** and select **SteamBake** function.
- Set your desired temperature and press **Start**.

Note: For best results, pre-heat to the set temperature before placing the food in the oven.

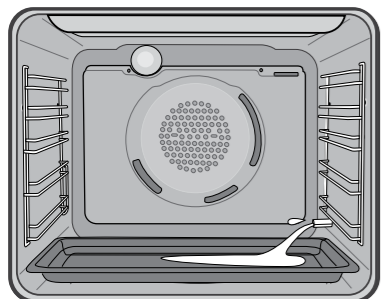
Step 3



- When the oven reaches the set temperature, place the baking tray on the recommended oven shelf position.
- Now wait for your bread to be baked and you will enjoy perfectly baked bread.
- Remove the food when cooking is completed. Turn off the oven and allow it to cool.

After Steam Cooking, empty the water tank

- Make sure the oven is turned off and is completely cool.
- Place the deep pan on the base of the oven.
- Select: **Menu > Cleaning > Steam maintenance > Tank emptying**.
- Turn on the function and follow the instructions on the screen display.
- When the function ends, remove the deep pan.



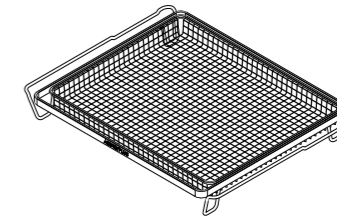
Steam Assisted Cooking Continued

Experience steam assisted cooking with AirFryPlus

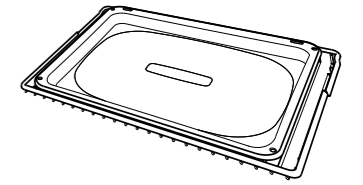
The mesh design of the AirFryPlus tray allows super-heated air to crisp the surface of food to deliver a mouth-watering fried taste and texture without the need for excessive oil. Steam is added during the cooking process to help retain moisture inside the food, whilst the outside becomes deliciously crisp and golden.

Follow these simple steps to learn how to use your oven's AirFryPlus function:

Before you start, you will need these accessories:

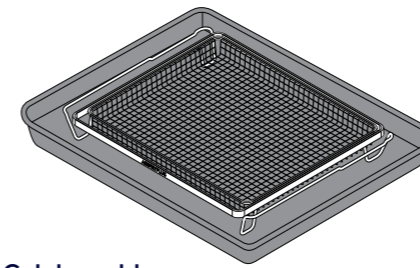


AirFryPlus tray



Standard Oven tray with shelf

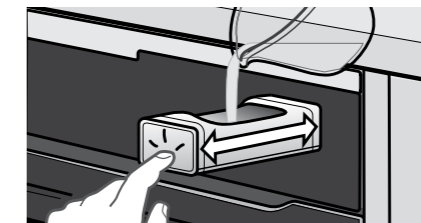
Step 1



Catchment tray

- When preparing food on the AirFryPlus tray, you may like to stack the AirFryPlus tray onto a catchment tray to catch any crumbs or over a sink to prevent mess.
- If required, you can choose to spray some oil on the AirFryPlus tray to prevent food from sticking.

Step 2



- Press the cover of the water drawer to open it.
- Fill the water drawer with water up to the maximum level (approx. 950ml).
- Push the water drawer back to its initial position.

Note: Do not fill the water tank over the maximum level. If the tank is overfilled, the excess will flow into the oven. Sponge up the overflow if it occurs.

Step 3



- Turn on the oven.
- Select **AirFryPlus** function.
- Set your desired temperature and press **Start**.

Note: For best results, pre-heat to the set temperature before placing the food in the oven.

Step 4

- When the oven reaches the set temperature, place AirFryPlus tray onto the recommended shelf position.
- A standard oven tray should be placed on the bottom shelf (position 1) to catch any fat or crumbs dropping from the AirFryPlus tray during cooking.
- To set **Sound Alarm and Stop Cooking**, select **Timer** icon > **Alarm** icon or **...** > **SOUND Alarm and Stop Cooking** > Set the time > **OK**.
- Remove the food when cooking is completed. Turn off the oven and allow it to cool.



Cleaning of the AirFryPlus Tray

The AirFryPlus Tray is dishwasher safe

- Wipe the tray to get rid of food crumbs or residue before putting into your dishwasher.

OR

Hand washing of the AirFryPlus Tray

- Clean the AirFryPlus tray after each use. Wash the tray in the sink with warm soapy water and a dish brush or scourer.



Tip: Go to Electrolux Life App on your smart device to discover many mouth-watering recipes.



We invite you to follow Electrolux
and get involved in the conversation:



Need more help?

Find more information or further support



To access your detailed user manual online, simply scan the QR code on your smartphone. If you prefer a printed manual, please contact our Customer Care Centre using the details below.

Contact us

Our customer service team is there to assist you.

Electrolux Home Products Australia

telephone: 13 13 49

email: customercare@electrolux.com.au

web: electrolux.com.au

Electrolux Home Products New Zealand

telephone: 0800 436 245

email: customercare@electrolux.co.nz

web: electrolux.co.nz