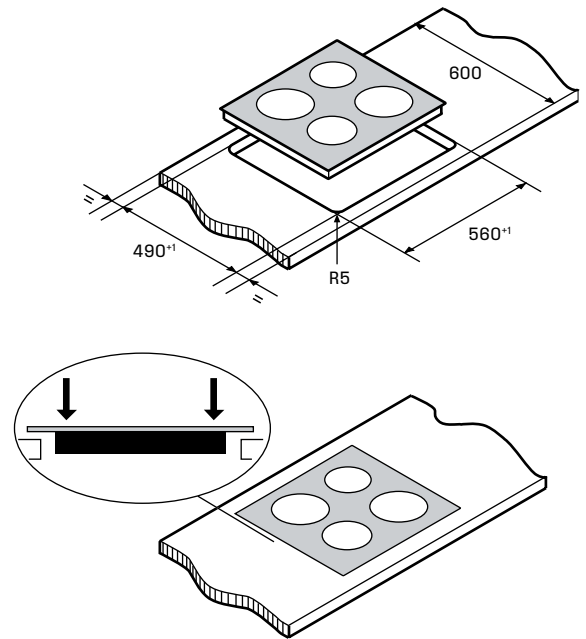
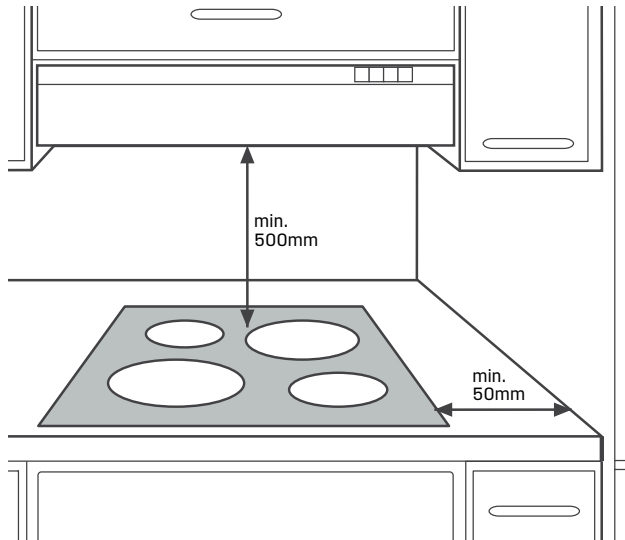
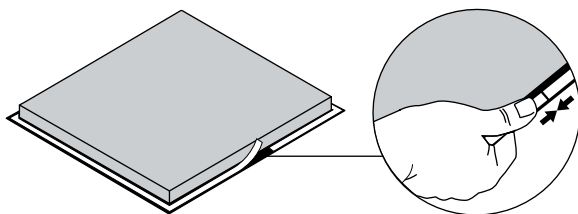


60cm Electric Cooktops

WHC633BE, WHC643BE



NOTE: The clearance must meet or exceed the minimum recommended for both the rangehood and cooktop. Refer to the rangehood installation manual.



WARNING

Surface temperatures of base exceed 95°C, under bench access must be restricted by use of non-combustible barrier on installation

Product WxDxH (mm)

590 x 520 x 51

Cut-out WxD (mm)

560 x 490

IMPORTANT

These dimensions are a guide only. All measurements are in millimetres (mm). For complete installation instructions, refer to the manual provided with product.