



EDV60*****

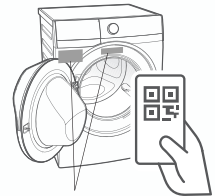
EDV70*****

Enjoy peace of mind. Register your appliance today.

Stay updated on better living services,
safety notices and shop for accessories.

- 1. Open the camera app on your smartphone and point at the QR code to scan.**

Product Registration QR code is located on the front of your appliance or inside the door rim.



- 2. Tap the notification or link to open the registration form.**
- 3. Complete your details and enjoy peace of mind.**



Full version of the User Manual is available on www.electrolux.com. Alternatively, scan QR code, tap Electrolux logo, and search for your appliance.

Welcome to Electrolux! Thank you for choosing our appliance.



Get usage advice, brochures, troubleshooter, service information, buy accessories & spare parts, online product registration :


www.electrolux.com

CUSTOMER CARE AND SERVICE

We recommend the use of original spare parts. When contacting Service, ensure that you have the following data available. The information can be found on the rating plate. Model, PNC, Serial Number.

 Warning / Caution-Safety information.

 General information and tips.

 Environmental information.

Subject to change without notice.

CONTENT

1.  SAFETY INFORMATION	3
2. PRODUCT DESCRIPTION	7
3. INSTALLATION	8
4. USE	13
5. HINTS	19
6. TROUBLESHOOTING & ACCESSORIES	21
7. TECHNICAL DATA	23

1. ⚠ SAFETY INFORMATION



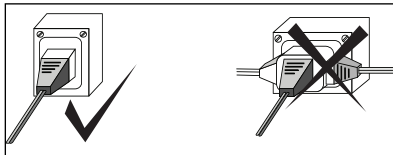
Read the instructions.

1.1 Dryer Safety

Failure to follow these safety instructions could damage the dryer or your clothes.

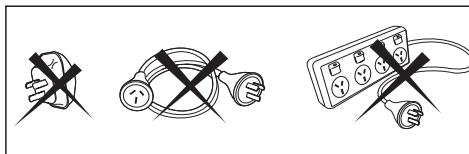
You may then not be covered by warranty for this damage.

Only plug this appliance directly into an AC power supply, which is properly earthed and has the correct voltage.



The Model Name, Serial Number, Product Number Code (PNC) and other key information about your appliance is printed on the Rating plate, which can be found by opening the appliance door and looking at the top of the door opening.

⚠ CAUTION! If this appliance is supplied from a cord extension set or electrical portable outlet device, the cord extension set or electrical portable outlet device must be positioned such that it is not subject to splashing or ingress of moisture.



For Safety reasons we strongly advise against the use of double adaptors, extension cords or power boards.

1.2 Child Safety

- This appliance is not intended for use by persons (including children) with reduced physical, sensory or mental capabilities, or lack of experience and knowledge, unless they have been given supervision or instruction concerning use of the appliance by a person responsible for their safety.
- The children should be supervised to ensure that they do not play with the appliance.

1.3 General Safety

CAUTION!

- If the electrical cord of this appliance is damaged, it must be replaced by the Manufacturer, Authorized Service Agent or similarly qualified person in order to avoid a hazard.
- These dryers are for drying clothes, towels, and linen at home. Do not use them for any other purpose.
- Lint must not be allowed to accumulate around the tumble dryer.
- Do not dry unwashed items in the tumble dryer.
- Pre-treatment sprays and stain remover can damage plastic components on your machine. If you use pre-treatment sprays or stain removers, apply them to the clothing well away from your machine.

WARNING!

Never stop a tumble dryer before the end of the drying cycle unless all items are quickly removed and spread out so that the heat is dissipated.

1.4 Fire Hazards

WARNING!

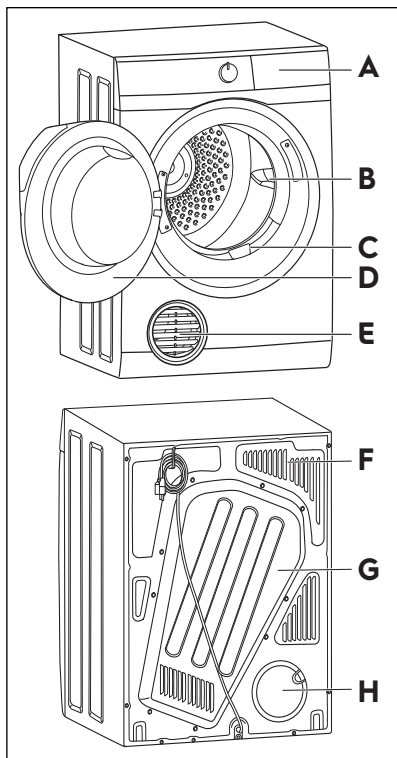
Some fabrics are not suitable for tumble drying. The following **MUST NOT** be placed in your dryer due to the risk of a fire or an explosion.

- Items that have been spotted or soaked with vegetable oil, cooking oil, suntan oil, linseed oil, salad oil, lubrication oil or grease. Oil affected items can ignite spontaneously, especially when exposed to heat sources such as in a tumble dryer. The items can become warm which is caused by oxidation reaction in the oil. Oxidation creates heat. If heat cannot escape, the items can become hot enough to ignite. Piling, stacking or storing oil-affected items can prevent heat from escaping and create a fire hazard. If it is unavoidable that fabrics that contain vegetable or cooking oil, or have been contaminated by hair care products be placed in a tumble dryer, they should first be washed in hot water with extra detergent-this will reduce, but not eliminate the hazard. The final part of tumble dryer cycle occurs without heat (Cooling cycle) to ensure that the items are left at the temperature that ensures that the items will not be damage.
- Items that have previously been cleaned in, washed in or spotted with petrol/gasoline, industrial chemicals used only for cleaning, dry-cleaning solvents, or other flammable or explosive substances are highly flammable. Highly flammable or explosives commonly found around the house include acetone (nail polish remover), denatured alcohol, petrol/gasoline, kerosene, some spot removers, turpentine, waxes, and wax removers should not be put in the dryer.

- Items containing foam rubber (also known as latex foam), similarly textured rubber, or materials e.g. shower caps, waterproof textiles, rubber-backed articles, and clothes or pillows fitted with foam rubber pads should not be dried in the machine on a heat setting. Foam rubber materials can produce fire by spontaneous combustion when heated.
- Rubber-backed articles, clothes fitted with foam rubber pads, pillows, rubber boots, and rubber-coated sports shoes.
- Fabric softeners, or similar products, should be used as specified by the fabric softener instructions.
- Remove all objects from pockets such as lighters and matches.

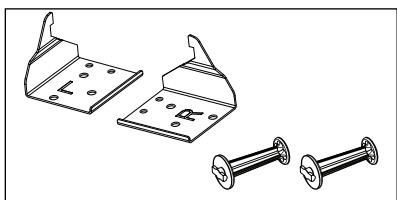
For your safety, and to reduce the risk of fire or an explosion, **DO NOT store or use petrol or other flammable vapours and liquids near your dryer.**

2. PRODUCT DESCRIPTION



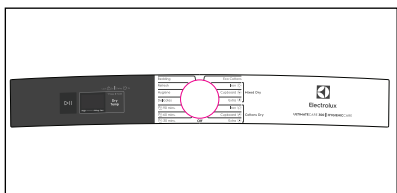
- A Control Panel
- B Drum lifter
- C Lint filter
- D Appliance door
- E Exhaust grille
- F Air inlet duct
- G Back cover
- H Outlet cover

2.1 Accessories



Wall Mounting Kit

to invert the dryer on a wall upside down.

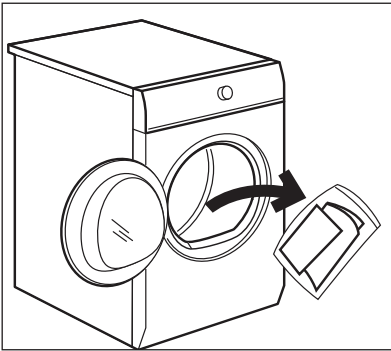
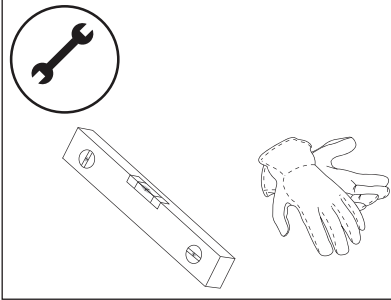


Control Panel Invert Sticker

3. INSTALLATION

⚠ WARNING!

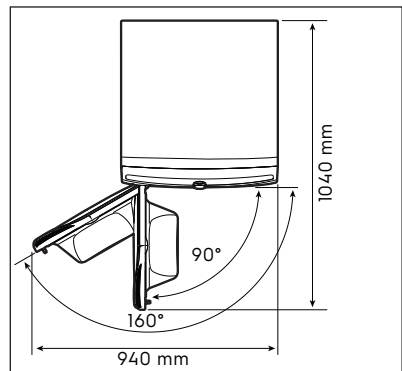
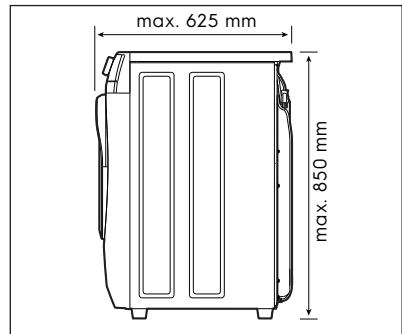
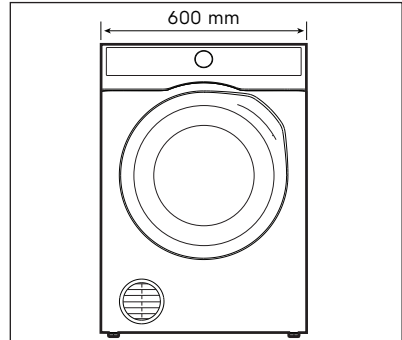
Before proceeding with installation, read the safety information, and dimension preferred.

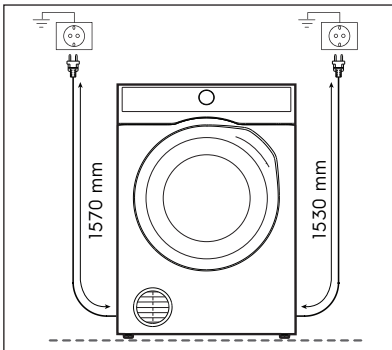
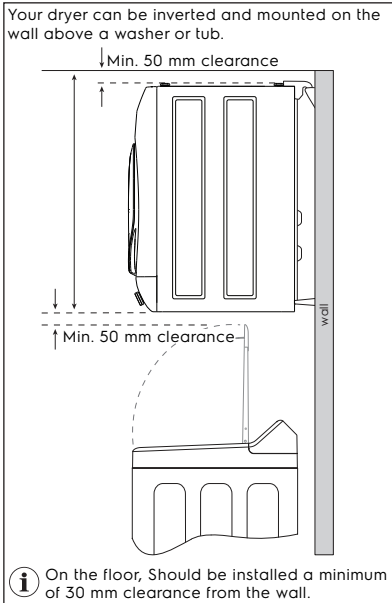


Positioning

You can choose to install the dryer on :

1. a stable and levelled floor
2. upside down
3. on a wall





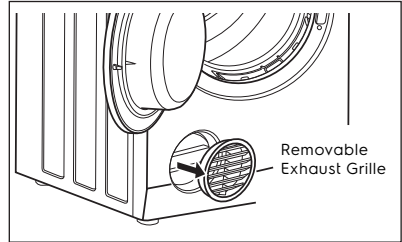
⚠ WARNING!
 The tumble dryer cannot be placed on top of a washing machine. For more information, please contact authorized dealer.

The exhaust grille has a range of positions, which allows you to select the optimum exhaust air angle. Simply hold the grille and rotate it until it hits the built-in stop.

Do not install your dryer in a cupboard or small un-vented laundry unless you are using a venting kit.

There are 2 venting options;

1. Front
2. Rear-using a venting kit



ⓘ If you want to be purchased the optional extra, please contact your local retailer or service centre.

Venting Kit (Optional Extra)

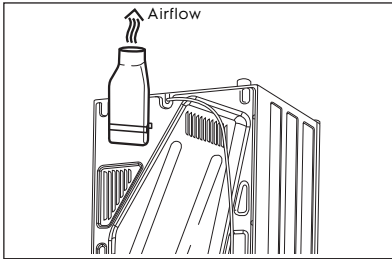
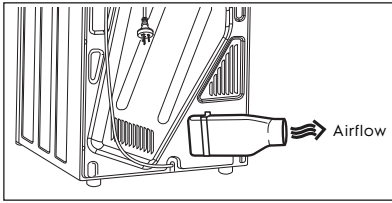
- DVK005K - Through the wall
- DVK006 - Universal flexible hose

The exhaust duct must not exceed 2 meters in length at 100 millimetres in diameter.

If connecting the dryer to a common ducting system, safety advice should be requested from the manufacturer.

If you choose to use included kit, the exhaust grille at the front of the dryer will need to be replaced with the outlet cover from the back of the dryer. Gently prise open the grille, using a thin-bladed tool. Next, remove the cover from the back and clip it into the grille space at the front. The exhaust grille is not required when using a vent kit.

You can position the vent kit at the back of the dryer to remove air sideways and upwards.



Inlet and outlet points need clear airflow to prevent overheating, so ensure there is adequate ventilation. (i.e. open window or external door.)

If a venting kit is used and the exhaust is discharged out of the room, there must be adequate ventilation to avoid the back flow of gases into the room from appliances burning other fuels, including open fires, when operating the tumble dryer. This is not applicable where a venting hose is directed to an open window.

The exhaust air must not be discharged into a flue pipe which is used for exhausting fumes from appliances burning gas or other fuels.

Important

Your dryer must stand firm and levelled on the floor to ensure correct operation. The appliance must not be installed behind cupboard doors which restricting the full opening of the dryer door.

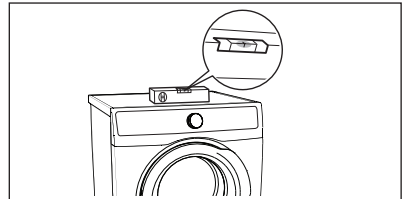
Use a spirit level tool on the top and side of the dryer to check the levels.

If you have no access to a spirit level tool, use door frame, cupboard or bench as a guide to check that the dryer is levelled.

Never place cardboard, wood or similar materials under the machine to compensate for any unevenness in the floor. Install the machine on a flat hard floor.

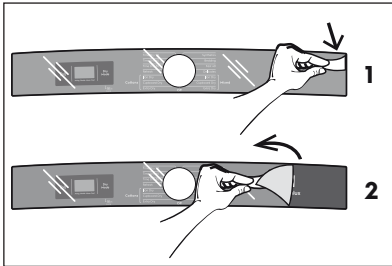
Make sure that air circulation around the machine is not impeded by carpets, rugs etc.

Check that the machine does not touch the wall or cupboard units.



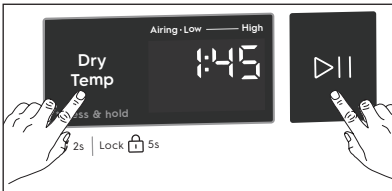
Inverted Mounting Mode

Please remove the protective film from the control panel trim using sticky tape as shown in the image before attaching the inverted mounting trim.

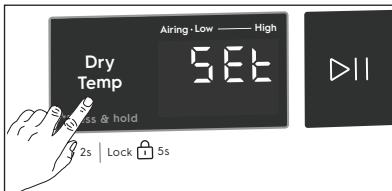


If machine is installed up side down follow instruction below to adjust the display for correct reading.

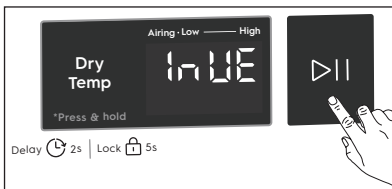
1. Machine ON : Press and hold "Dry Temp" and "▶|| Start/Pause" touch key for 3 seconds to go into Setup Mode.



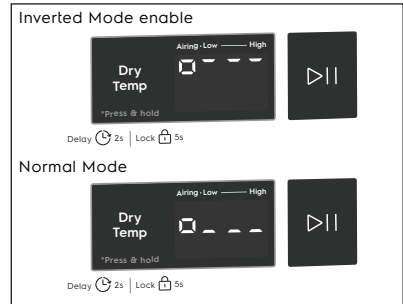
Display will show " 5E1".



2. Press "Dry Temp" touch key 2 times. Display will show " 1nUE".



3. Press "▶|| Start/Pause" to on/off Normal mode or Inverted mode Display will show

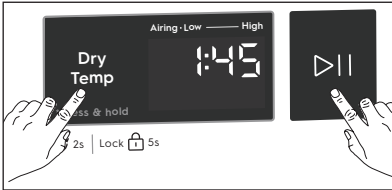


4. Wait 2 seconds. Display will blink once and tone KeyAccept is played to indicate that the new setting is saved.
5. Turn the knob "OFF" to exit Setup.

Enable/ Disable Buzzer Sound

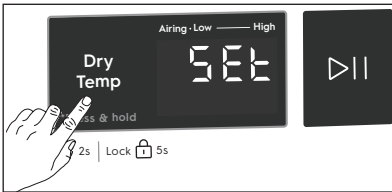
To disable or enable buzzer sound.

1. Press and hold "Dry Temp" and "▷|| Start/Pause" touch key for 3 seconds to go into Setup Mode.

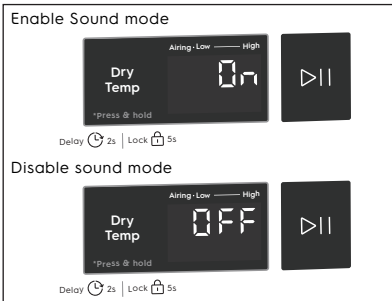
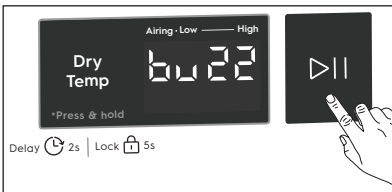


Display will show "SET". Pressing "▷|| Start/Pause" or turning the knob at this point will exit Setup.

2. Press "Dry Temp" touch key once. Display will show "bu22".



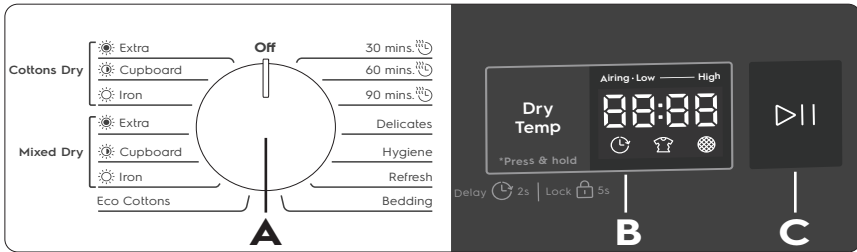
3. Press "▷|| Start/Pause" touch key to enable/disable buzzer. Display will show



4. Wait 2 seconds. Display will blink once and tone KeyAccept is played to indicate that the new settings is saved.
5. Turn the knob "OFF" to exit Setup.

4. USE

4.1 The Control Panel



A : Programme Selector Knob

- Turn the Programme Selector knob to choose a drying programme. The table "Programme Guide" will help you in selecting the right programme.

i The Programme Selector knob is not a timer. Once you select a dry programme, the Programme Selector knob will stay at that position for the whole dry cycle.

Programme Guide

Programme	Load ¹⁾	Properties / Fabric type
Time Dry		
30 mins.	1-1.5 kg.	For Cotton fabric selected drying time for 30 minutes.
60 mins.	3 kg	For Cotton fabric selected drying time for 60 minutes.
90 mins.	4 kg	For Cotton fabric selected drying time for 90 minutes.
Delicates	3.5 kg	Delicate fabrics such as viscose, rayon, acrylic, and their blends.
Hygiene	4 kg	Dries and sanitizes your garments and other items maintaining the temperature above 60°C over time, removing 99.9% of bacteria and viruses. ²⁾ Note: This cycle should only be used for wet items. Not suitable for delicate items.
Refresh	5 pcs.	For fabrics that have been in storage long time, normal synthetic that need to be damp after.
Bedding	Half	Evenly dries up to three bedding items at once.
Eco Cottons ³⁾	Max	Efficient, low energy programme for cottons.
Mixed Dry		
Iron	Half	Mixed load consisting of cotton and synthetic. For fabrics that do need to be ironed.
Cupboard	Half	Mixed load consisting of cotton and synthetic. For fabrics that do not need to be ironed.
Extra	Half	Mixed load consisting of cotton and synthetic. For thick fabrics.

Programme	Load ¹⁾	Properties / Fabric type
Cottons Dry		
☀ Iron	Max	Cotton Towel, Jeans For thick fabrics.
☀ Cupboard	Max	Bath towels, Cotton underwear. For fabric that do not need to be ironed.
☀ Extra	Max	Cotton Polo shirt, Cotton T-Shirt, For fabric that do need ironed
Off	This position to reset programme/switching off the machine.	

1) Maximum capacity depends on the model.

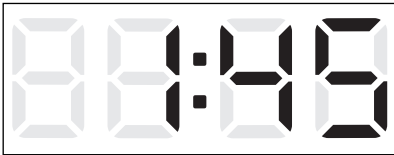
2) Tested for Candida albicans, MS2 Bacteriophage and Escherichia coli in external test performed by Swisstest Testmaterialien AG in 2024 (Test Report No. 20242021).

3) The programme "Eco cottons" (capacity, option .e.g at full load and with High Temp) is the programme for energy label tested according to AS/NZS 2442.1 and labelled according to AS/NZS 2442.2

B : Display

The display shows the following information

Drying Cycle In Progress



After selecting a programme, the duration is displayed in hours and minutes (for example 1:45 which means 1 hour and 45 minutes).

The duration is calculated automatically on the basis of the maximum recommended load for each type of fabric. After the programme has started, the time remaining is updated every minute.

Cooling Cycle In Progress

Your dryer will automatically switch off the heater at the end of every cycle.

This is important as it remove residual heat from clothes and help prevent creasing.

Anti Crease Cycle In Progress



The anti crease cycle is designed to help prevent creases forming in the clothes after normal drying cycle has ended.

The anti crease progress indicator will start blinking with clean filter during the time anti crease phase is running. The drum will rotate for 5 seconds every minute and will go for 1 hour Anti crease phase cannot be disabled.

i Anti crease can be stopped at any time by opening the door and removing the clothes.

End of Programme and Clean Filter Reminder



When the drying programme is completed, the display will show text "End".

The Clean Filter LED turns on and blinks at the end of each dry cycle to serve as a reminder to user to clean lint filter at the end of each load.

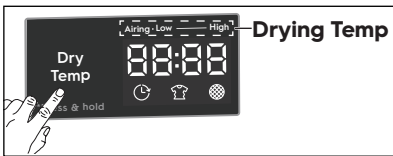
C : Start/Pause Touch key

This touch key allows you to start or pause the dryer to check the contents or perhaps add more clothes.

i The dryer will not start unless the door is closed. (If door is not closed you will show "E 40" on display.)

Setting Drying Temp

This mode gives you the option of selecting different drying levels.



Press "Dry Temp" touch key to select the drying temp. Corresponding light for each temp is shown on display. Drying temp can only be selected during initial set up.

- **Low**

Recommendation for drying heat sensitive fabrics such as delicates and synthetics at lower heat for maximum care of the fabrics.

- **Mid**

Recommendation for drying most fabrics.

- **High**

Recommendation for drying thick fabrics.

- **Airing**

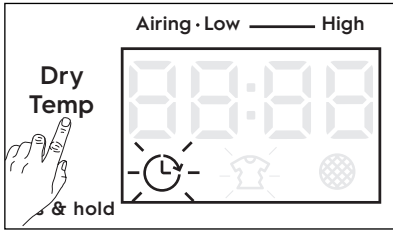
This setting does not heat.

ONLY circulate the air in the dryer to shake out dust and refresh clothes

Option Table

Programme	Dry Temp				
	High Temp	Medium temp	Low temp	Airing	Delay start
Time Dry					
30 mins.	■	■	■	■	■
60 mins.	■	■	■	■	■
90 mins.	■	■	■	■	■
Delicates	■	■	■		■
Hygiene	■				
Refresh	■				■
Bedding	■	■	■		■
Eco Cottons	■				■
Mixed Dry					
Iron	■	■	■		■
Cupboard	■	■	■		■
Extra	■	■	■		■
Cottons Dry					
Iron	■	■	■		■
Cupboard	■	■	■		■
Extra	■	■	■		■
Off					-

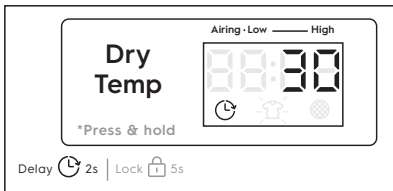
Delay Start



Delay Start can be set from 30 minutes to 20 hours.

To set Delay Start option.

1. Select a drying programme.
2. Press and hold "Dry Temp" touch key for 2 seconds until a sound is heard then release the touch key, display will show number 30 and clock symbol.



3. Press "Dry Temp" to increment the time until desired level is reached.
4. Once a desired time is reached press "Start/Pause" touch key to activate delay start option.

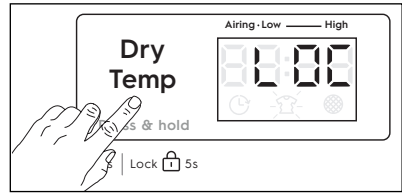
i Clock symbol will start blinking after Delay Start option is activated.

To cancel or change Delay time, Switch off the machine by turning the selector knob to OFF position to cancel the Delay Start and then repeat above procedure to set a new delay time.

Child Lock

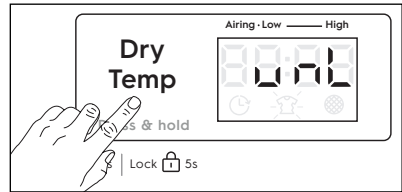
Activating Child Lock

To activate Child Lock press and hold the "Dry Temp" touch key for 5 seconds. Display will show "🔒 5s" for 2 seconds then back to cycle duration.



Deactivating Child lock

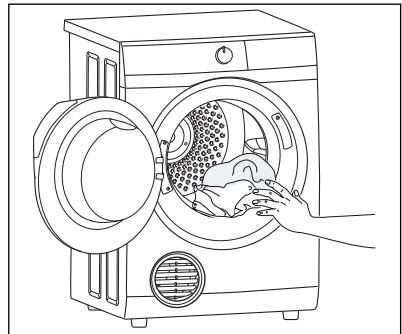
To deactivate Child Lock press and hold the "Dry Temp" touch key for 5 seconds. Display will show "🔒 5s" for 2 seconds then back to cycle duration.



4.2 Operating Sequence

Step 1

Load your dryer loosely until it is no more than **TWO THIRDS FULL**. Clothes must tumble freely in a dryer. Don't cram them in. Wet clothes fluff up when dry.



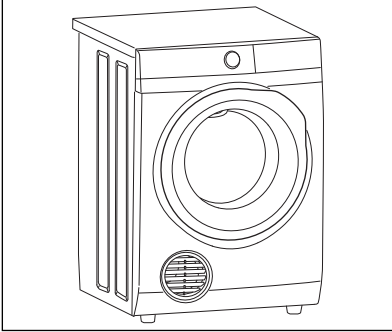
Overloading will

Reduce efficiency.
Increase drying time.
Increase the risk of creasing.

i Do not load clothes or other articles which are dripping wet or have sand and grit on them into your dryer.

Step 2

Switch On The dryer will not operate unless the door is fully pressed in.



Step 3

Turn the Programme Selector knob to choose drying programme you want.

WARNING!

Never stop a tumble dryer before the end of the drying cycle unless all items are quickly removed and spread out so that the heat is dissipated.

The drum is designed to rotate in both direction, clockwise and anti-clockwise. This reduces tangling and move even drying in a shorter time.

Step 4

Turn the Programme Selector knob to "OFF" When you have finished using the dryer to turn off the power, then switch off at the power point. It is recommended to power off the appliance when not in use.

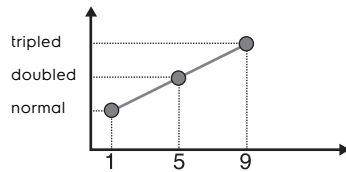
Step 5

Clean Lint Filter

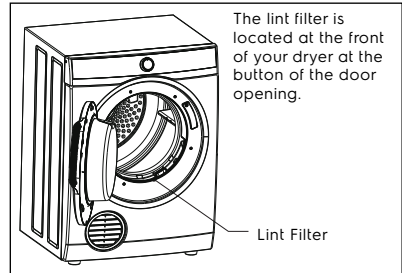
LINT BUILD-UP IS A FIRE HAZARD

A clean lint filter reduces drying times, saves energy and avoids overheating. Overheating may also damage your clothes.

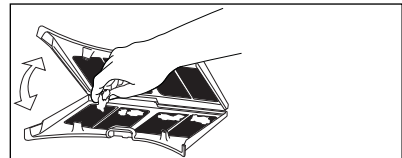
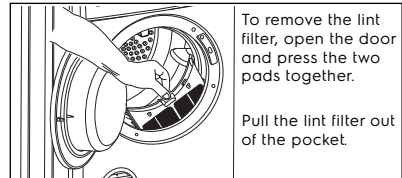
Drying Time



Number of usages with an unclean lint filter (based on laboratory tests using a load of new towels)




It is important to clean the lint filter after every load.



Ensure that you hear a "Click" when putting back the lint filter.

- Never operate your dryer without the lint filter.
- Do not allow lint to build around your dryer.
- A torn or damaged lint filter must be replaced immediately.
- Overloading can increase lint build-up because the airflow is reduced.

To avoid potential fire hazards, we recommend that you pay a authorized service centre. To periodically clean your dryer, You must do this also when you change mounting from upright to inverted, or vice versa.

 After every load clean the lint filter to reduce drying time and avoid overheating.

Checking the Load

To check the dryness or add clothes during the cycle, simply open the door. The dryer will beep several times indicating the door is open. If further drying is required, close the door and then press the "Start/Pause" touch key to continue.

For the best drying performance, only add or remove clothes at the beginning of the drying cycle.

Next time you turn your dryer on it will be ready to go as it remembers the last programme, Temperature and Option setting used. You can change the setting if you wish.

5. HINTS

- Never tumble dry the following:
Delicate items such as net curtains, woollen, silk, fabric with metal trim, nylon tights, bulky materials such as anoraks, blankets, eiderdown, sleeping bags, feather quilts and any item containing rubber foam or materials similar to foam rubber.
- Do not place in your dryer undergarments such as bras and corsets that contain metal reinforcements. Your dryer may be damaged if metal parts were to come loose from the garment. Place such items in a bag designed for this purpose.
- Check and empty pockets. Clips, pens, nails and pins can damage both the dryer and your clothes. Other items such as matches or cigarette lighters will cause a fire.
- Close all press studs, hooks, eyes and zips that may catch on something else. Tie all belts and apron strings to prevent tangling.
- Drying time will depend on fabric type and construction, load size and wetness. Save time and money and always spin the load as dry as possible in your washing machine.
- Drying time will also be affected by voltage fluctuations, room temperature and humidity. Clothes will dry more slowly on a cool or humid day.
- For best results, sort the load according to fabric types. Such as heavy items which may take longer to dry, eg towels, flannelette sheets etc, than ones which dry quickly, eg poly/cotton shirts and sheets.
- Avoid drying dark clothes with light coloured items such as towels as lint will show on the dark clothes.
Note: Some fabrics will collect lint from other clothes and items. Separate the lint "givers" and the lint "collectors" to minimise this problem.

Clothes that give lint include towels, nappies, chenille.





Clothes that collect lint include corduroy, synthetics and permanent press garments.

- If individual items are still damp after drying, please add appropriate Time Drying programme. This may be necessary particularly for multilayered items (e.g. jeans, items with collars or pocket) or very small loads
- Always clean the lint filter-this will reduce drying time and save you money.
- The laundry must be thoroughly spun before tumble drying.
- Easy-care items eg shirts, should be briefly pre-spun before drying (depending on the crease resistance approximately 30 seconds)
- To avoid static charge when drying is completed, use either a fabric softener when you are washing the laundry or a fabric conditioner specifically for tumble dryers.
- Remove the laundry when the dryer has finished drying.
- Do not over-dry laundry, this avoids creasing and saves energy.
- Clothes or towels containing sand or grit should be washed first.
- Due to variations in dryer load fabric texture and thickness it is possible that not all items will be dried evenly. If you experience uneven dryness on Cupboard programme please use either Extra Dry or Timer Programme but be mindful of the type of fabric being dried to avoid overdrying certain types of fabric. Always follow drying instructions attached to the items intended to be dried in a clothes dryer. To help you, here is a list of the averageweights of some common laundry items.

Sheet	700g - 1000g
Tablecloth	400g - 500g
Kitchen towel	70g - 120g
Table napkin	50g - 100g
Towelling hand towel	150g - 250g
Bathrobe	1000g - 1500g
Men's shirt	200g - 300g
Pillowcase	100g - 200g
Men's pyjamas	400g - 500g
Ladies nightdress	200g 250g
Bath towel	300g - 400g


Drying Guide

Always check your labels for the drying symbol which this international Care Labelling Code now uses.

Fabric label	Description
	Laundry is suitable for tumble drying.
	Laundry is suitable for tumble drying at higher temperatures.
	Laundry is suitable for tumble drying at low temperatures only.
	Laundry is not suitable for tumble drying.

- **Permanent press and synthetics**
- take out as soon as the dryer stops to reduce wrinkles.
- **Woollen articles**
- not recommended. Pull them to their original shape, then dry them flat.
- **Woven and loop knit materials**
- may shrink, by varying amount, depending on their quality. Do not use the "☀️ Extra Dry" setting for these fabrics, Always stretch them out immediately after drying.
- **Fibre or leather materials**
- always check the manufacturer's instructions.
- **Baby clothes and night gowns**
- acrylic clothing or sleepwear use only on the "☀️ Iron Dry" setting.

- **Rubber and plastics**
- Do not dry any items made from or containing rubber or plastics, such as aprons, bibs, babies' water proof napkins, curtains, tablecloths, shower caps, clothes fitted with foam rubber pads, pillows, galoshes, or rubber coated tennis shoes.
- **Fibreglass**
- not recommended, glass particles left in the dryer could be picked up by your clothes the next time you use the dryer and irritate your skin.
- Fabric softeners or similar products should not be used in a tumble dryer to eliminate the effects of static electricity unless this practise is specifically recommended by the manufacturer of the fabric softener or product.

 We strongly advise against the use of fabric conditioners of the sheet type that are added to the clothes in the drum. These products may lead to rapid blockage of the lint filter and inefficient operation of your dryer.

6. TROUBLESHOOTING & ACCESSORIES

6.1 Troubleshooting

Check the points listed here before you call for help, and make sure that you have followed the Important safety Instructions on pages 3, 4, 5 and 6.

Problem	Possible causes
The dryer will not start:	<ul style="list-style-type: none"> • Plug is not firmly in socket, or power not turned on. • You have blown a fuse. Check the power point with another appliance. • You have not closed the dryer door or pushed in the door safety switch touch key.
Your clothes are still wet/not fully dried	<ul style="list-style-type: none"> • Load is too small for autosensing programme or load consists of some multilayered items. Use Time Dry programme to complete drying, refer Hints in section 4. • The selected drying time was insufficient. Select a longer time setting. • Longer time may be needed when the room temperature is 10 °C or less. • Check that the lint filter is not blocked. • Check to see that you have read all the instructions carefully. • Contact the Service Center if you are still having problems. Write down the model and serial numbers and the date of purchase before you ring. The Service Center will need this information.



WARNING!

Deactivate the appliance before you do the checks.

Malfunction	Alarm Code	Possible cause	Solution
• Machine does not start	E 40	• The appliance door is open or not closed correctly.	• Close the door firmly.
	E H0	• The mains supply is unstable.	• Wait until the main supply is stable then press start.
	E 9 1	• Internal fail. No communication between electronic elements of the appliance.	• Switch off and switch on again.

6.2 Accessories

You can buy venting kits (as mentioned on page 9) from your local appliance shop or Electrolux Home Products Pty. Ltd. Parts Distributor.

Important

To operate efficiently the clothes dryer must have an unrestricted air supply and exhaust ventilation.

Service calls resulting from installation where ventilation is restricted are not covered by warranty.

THE COST OF THIS TYPE OF CALL WILL BE CHARGED TO THE CUSTOMER

Should you require further instructions in the use and care of your clothes dryer please contact the CUSTOMER CENTER on the phone number listed below:

Australia...1300 363 640 8am to 7pm
EST & 8pm EDST Monday to Friday

NewZealand...(09) 573 2384 8am to 5pm
Monday to Friday

7. TECHNICAL DATA

Model Name	EDV605H3WC
Dimension (Height x Width x Depth)	795 x 600 x 560 mm
Power Supply (Voltage / Frequency)	220-240 V / 50 Hz
Heater Power (Watt)	2100 W
Maximum Capacity	6 kg

Model Name	EDV705H3WC
Dimension (Height x Width x Depth)	795 x 600 x 600 mm
Power Supply (Voltage / Frequency)	220-240 V / 50 Hz
Heater Power (Watt)	2100 W
Maximum Capacity	7 kg

electrolux.com

G0043809-001-A28646412