

* ORIGINAL *

9/05



BUILT-IN COOKING APPLIANCES OWNER'S MANUAL

Thank you for buying a Westinghouse oven.
Please read your owner's manual carefully, it provides
instructions on safe installation, use and maintenance.
Retain it for future reference.
Record the model and serial numbers of your oven.

GOL472
476

GXL540
650



SAFETY AND WARNING INSTRUCTIONS

Read the following carefully to avoid an accident.

General warnings

- This appliance is not suitable for use by young children or infirm persons, without supervision.
- Young children should be supervised to ensure they do not play with this appliance.
- During use, this appliance becomes hot. Care should be taken to avoid touching hot surfaces, e.g. oven door, heating elements.
- This appliance must not be used as a space heater.
- In order to avoid a fire, the appliance must be kept clean and vents kept unobstructed.
- Do not spray aerosols in the vicinity of the appliance during operation.
- Do not store flammable materials in or under the appliance, e.g. Aerosols.
- Accessible parts will become hot when in use. To avoid burns and scalds children should be kept away.
- Do not line the bottom of the oven or grill with foil or cookware.

Grill

- The grill door must be open whilst grilling in a wall oven.
- Always turn the grill off immediately after use as fat left there may catch fire.
- Do not cover the insert with foil, as fat left there may catch fire.
- Always keep the grill dish clean as any fat left may catch fire.
- Do not leave the grill on unattended.
- To avoid a fire, ensure that grill trays and fittings are always inserted into the appliance in accordance with the instructions.
- Do not place thick portions of food under the grill. Foods may curl, catch and ignite.
- Accessible parts may become hot when grill is in use. Children should be kept away.

Oven

- During use the appliance becomes hot. Care should be taken to avoid touching the hot surfaces inside the oven.
- Switch the appliance off before removing the oven light glass for globe replacement.
- To avoid an accident, ensure that oven shelves and fittings are always inserted into the appliance in accordance with the instructions.
- Do not use the door as a shelf.
- Do not push down on the open oven door.

Cooktops (solid & ceramic)

- Do not allow pots to boil dry, as damage to both pan and cooktop may result.
- Do not operate the cooktop for an extended period of time without a utensil on the hot plate.
- Do not allow large cookware to overhang the cooktop onto the adjacent benchtop. This will cause scorching to the benchtop surface.

Ceramic glass

- If the ceramic glass is accidentally cracked, switch off the appliance to avoid the possibility of electric shock.
- Do not place heat resistant mats, wire mats or aluminium foil under pots or pans.
- Do not cook food directly on the ceramic glass surface.
- Do not use round bottom woks or similar utensils that could lead to over heating of hotplates and possible damage to the cooking surface.

Installation, cleaning and servicing

- An authorised person must install this appliance. (Certificate of Compliance to be retained)
- Before using the appliance, ensure that all packing materials are removed from the appliance.
- In order to avoid any potential hazard, the enclosed installation instructions must be followed.
- Ensure that all specified vents, openings and airspaces are not blocked.
- Where the appliance is built into a cabinet, the cabinet material must be capable of withstanding 85°C. If adjacent to vinyl-wrapped surfaces, use installation kit from vinyl wrap supplier
- Only authorised personnel should carry out servicing. (Certificate of Compliance to be retained)
- Always ensure the appliance is switched off before cleaning or replacing parts.
- If a rigid gas pipe is used for installation it should include sufficient loops or forms to allow the appliance to be moved out from the installed position for servicing.
- Do not use steam cleaners, as this may cause moisture build up.
- Always clean the appliance immediately after any food spillage.
- To maintain safe operation, it is recommended that the product be inspected every five years by an authorised serviceperson.

This appliance must be earthed.

- For appliances supplied with a supply cord, if the supply cord is damaged, it must be replaced by the Manufacturer or its service agent or similarly qualified person in order to avoid a hazard.

Disposing of your old appliance

Your old appliance could contain material that could be recycled, please contact your local waste collection centre or scrap merchant before disposing of your old oven.

CONTENTS

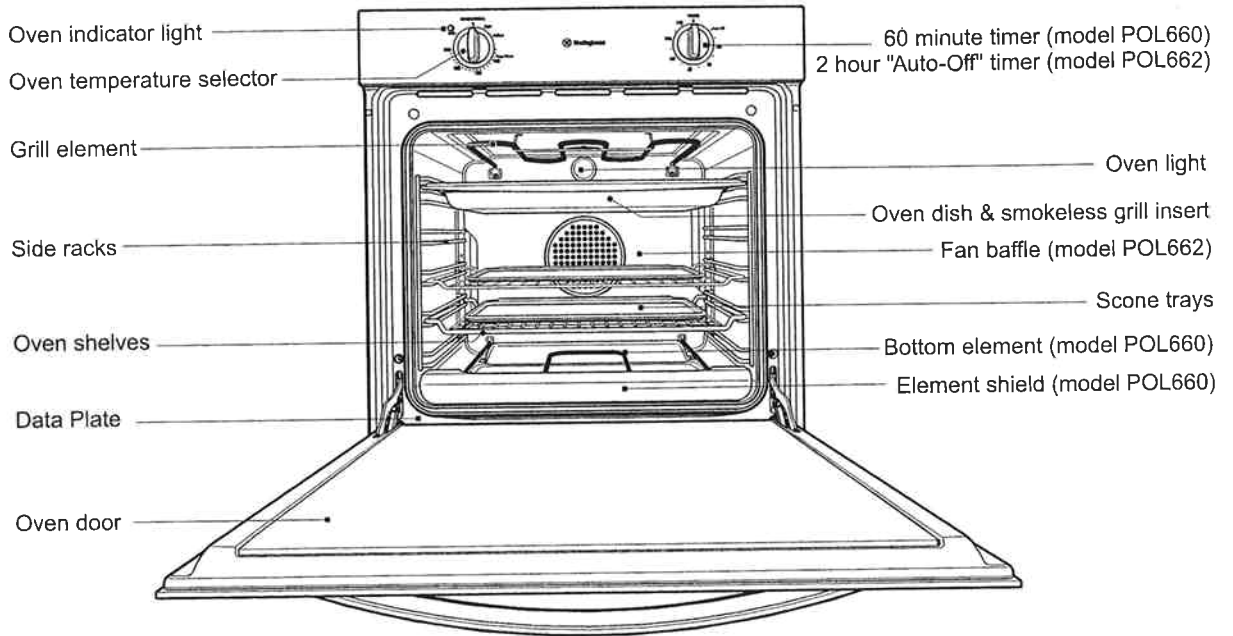
DESCRIPTION OF YOUR APPLIANCE	4
General view - Electric underbench with grill in oven	4
General view - Electric combination underbench with grill in oven	6
General view - Electric separate grill underbench	7
General view - Electric separate grill walloven	8
General view - Electric double oven	9
General view - Gas underbench with electric grill in oven	10
General view - Gas walloven with separate grill	11
BEFORE OPERATING YOUR APPLIANCE FOR THE FIRST TIME	12
Setting the time	12
Preparing your appliance for the first time	12
USING YOUR OVEN	13
Understanding your ELECTRIC oven functions	13
Understanding your GAS oven functions	15
Cooling/venting fan	16
Condensation	16
Operating your oven temperature selector	16
Operating your separate grill temperature selector	16
Pre-heating your appliance	17
USING YOUR COOKTOP	18
Hotplates	18
Utensils	18
Cooking Do's and Don'ts	19
Cleaning your hotplates	19
Cooking Hints	20
Dealing with cooktop problems	20
COOKING WITH YOUR TIMER	21
60 minute ringer timer	21
2-hour "Auto Off" timer	21
2 button electronic timer	21
5 button programmable timer	22
6 button programmable timer	23
KRONOS 2 programmable controller	25
COOKING GUIDE	28
Oven shelf location	28
Choosing the best cooking settings	28
Electric oven cooking guide - Conventional ovens	29
Electric oven cooking guide - Fan bake & multifunction ovens	29
Gas oven cooking guide	30
Roasting meat	30
Roasting poultry and fish	30
GRILLING GUIDE	31
Grilling hints	31
Guide to better grilling	31
Fan grill	31
DEALING WITH COOKING PROBLEMS	32
CLEANING YOUR APPLIANCE	33
Cleaning the oven/grill door	34
Cleaning the oven/grill accessories	34
CATALYTIC SELF CLEAN PANELS (where fitted)	37
SOLVING PROBLEMS	38
INSTALLATION	39
GAS INSTALLATION INFORMATION	43

DESCRIPTION OF YOUR APPLIANCE

General view - Electric underbench with grill in oven

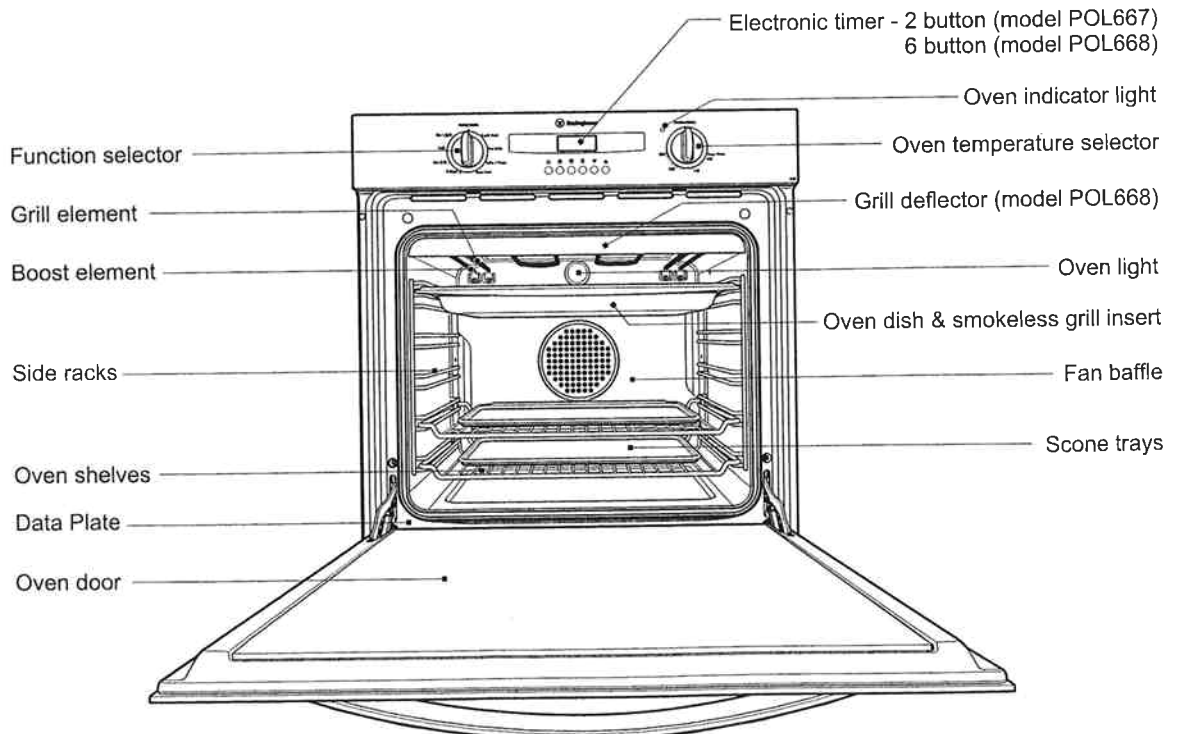
Model POL660 - Conventional

Model POL662 - Fan forced



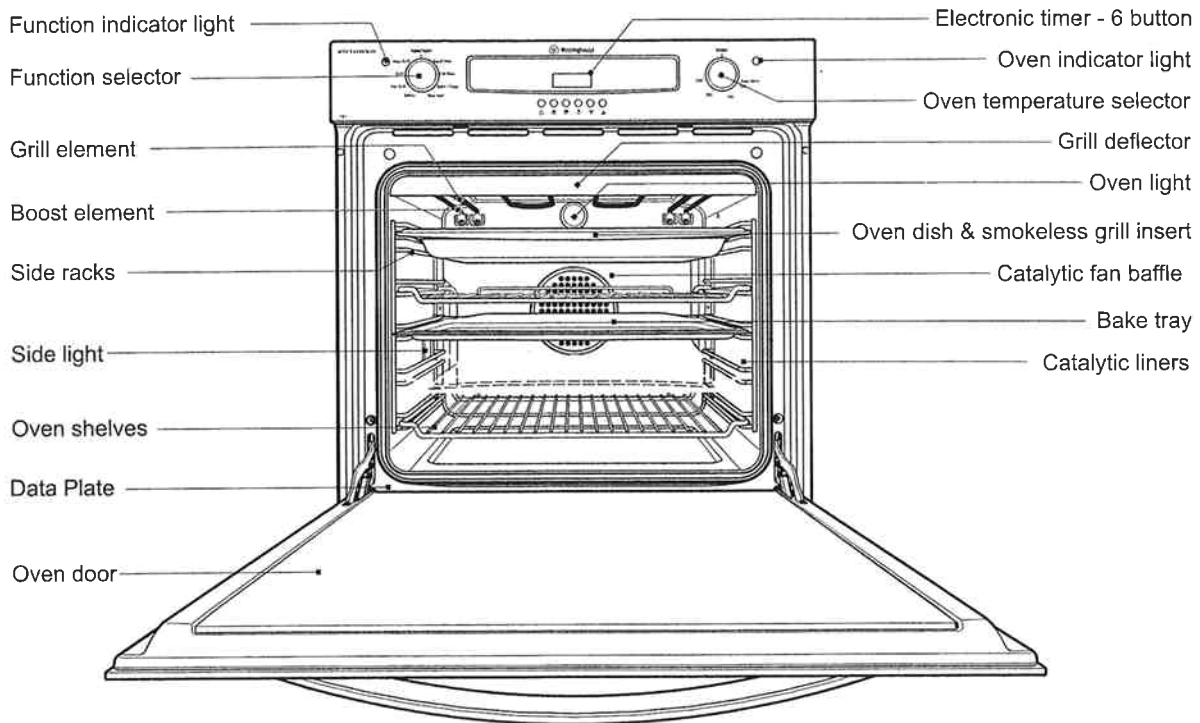
Model POL667 - Multifunction 5

Model POL668 - Multifunction 8

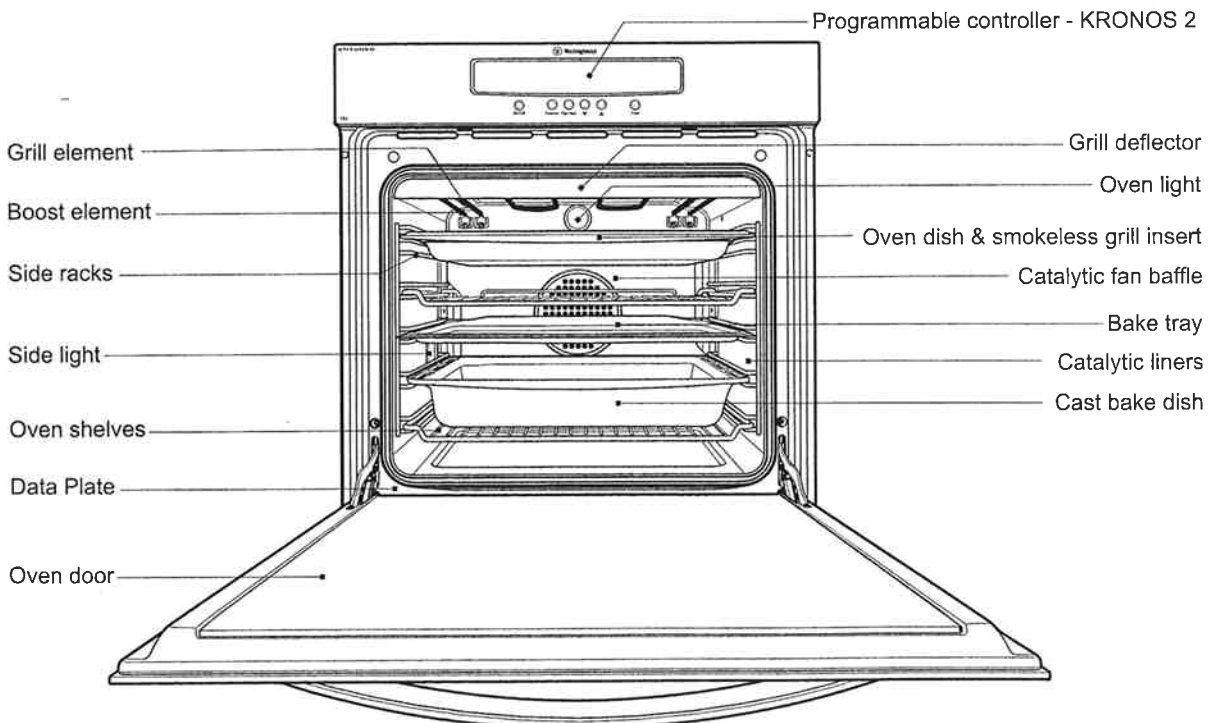


DESCRIPTION OF YOUR APPLIANCE

Model **POL781** - Multifunction 8 Virtuoso



Model **POL783** - Multifunction 10 Virtuoso

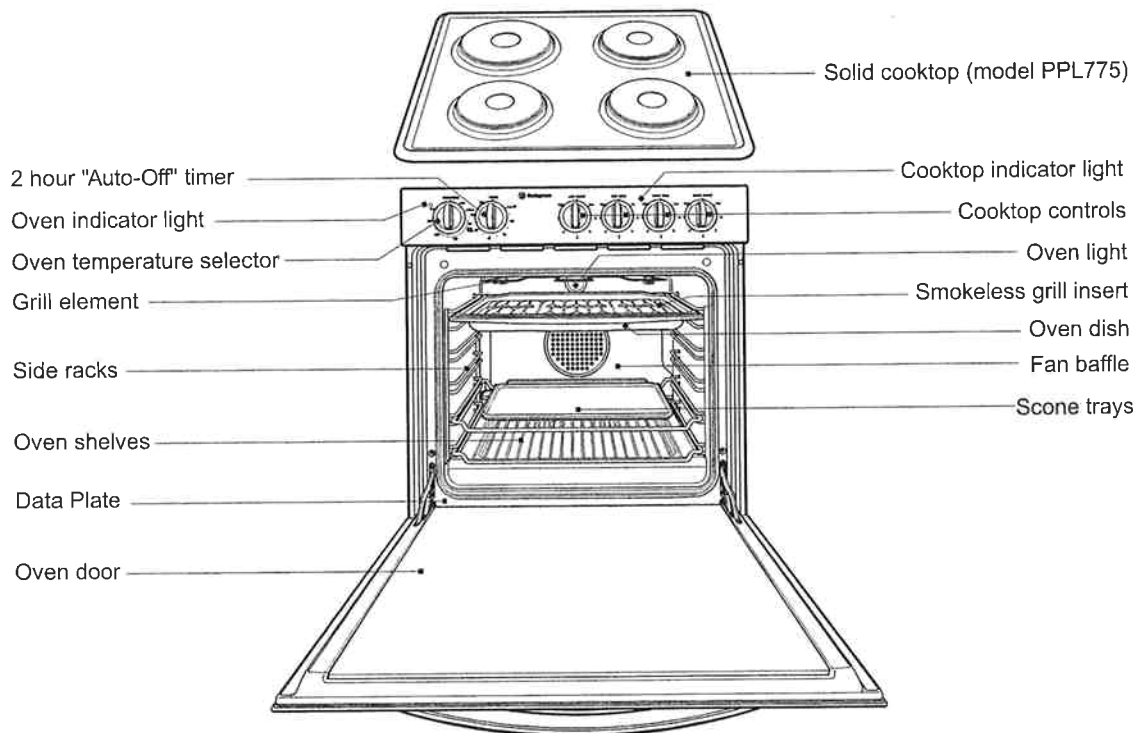


DESCRIPTION OF YOUR APPLIANCE

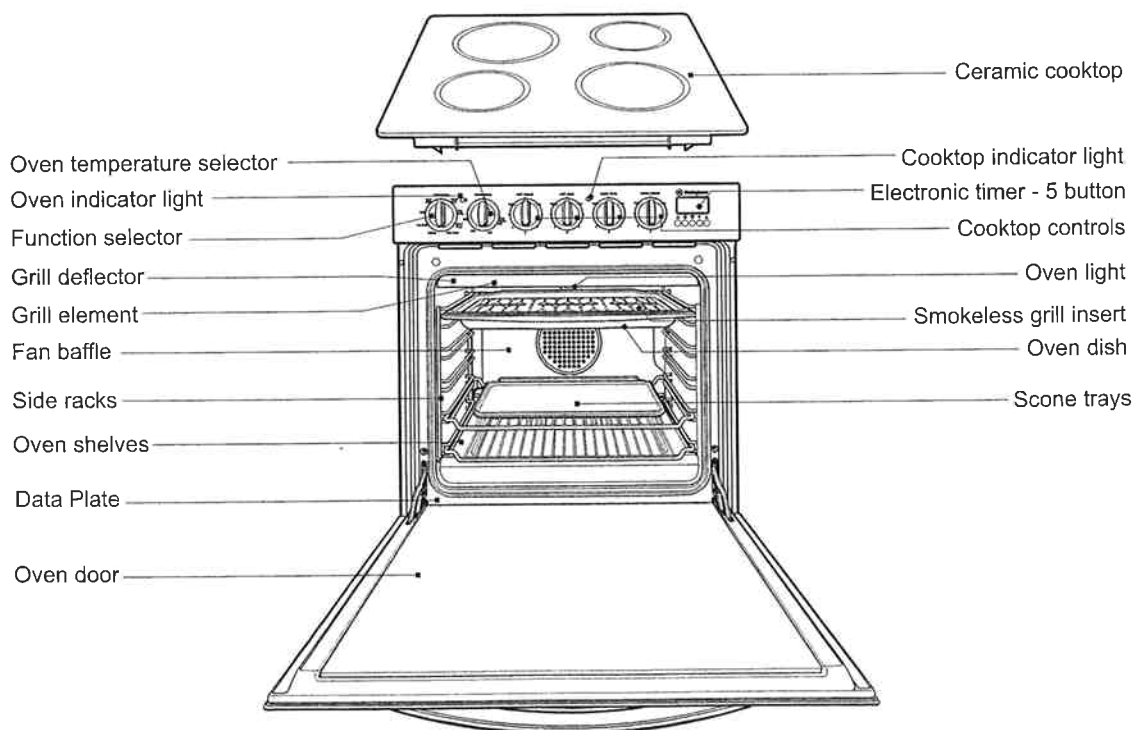
General view - Electric combination underbench with grill in oven

Model PPL775 - Fan forced with solid cooktop

Model PPL776 - Fan forced with ceramic cooktop



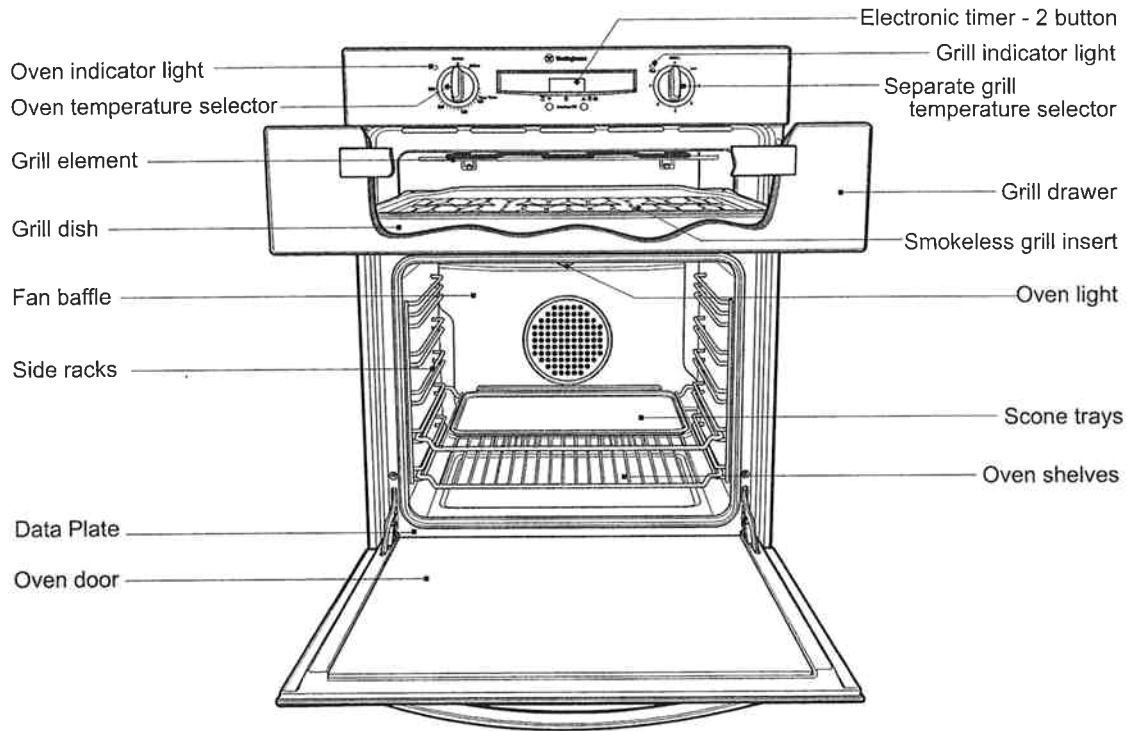
Model PPL778 - Multifunction 8



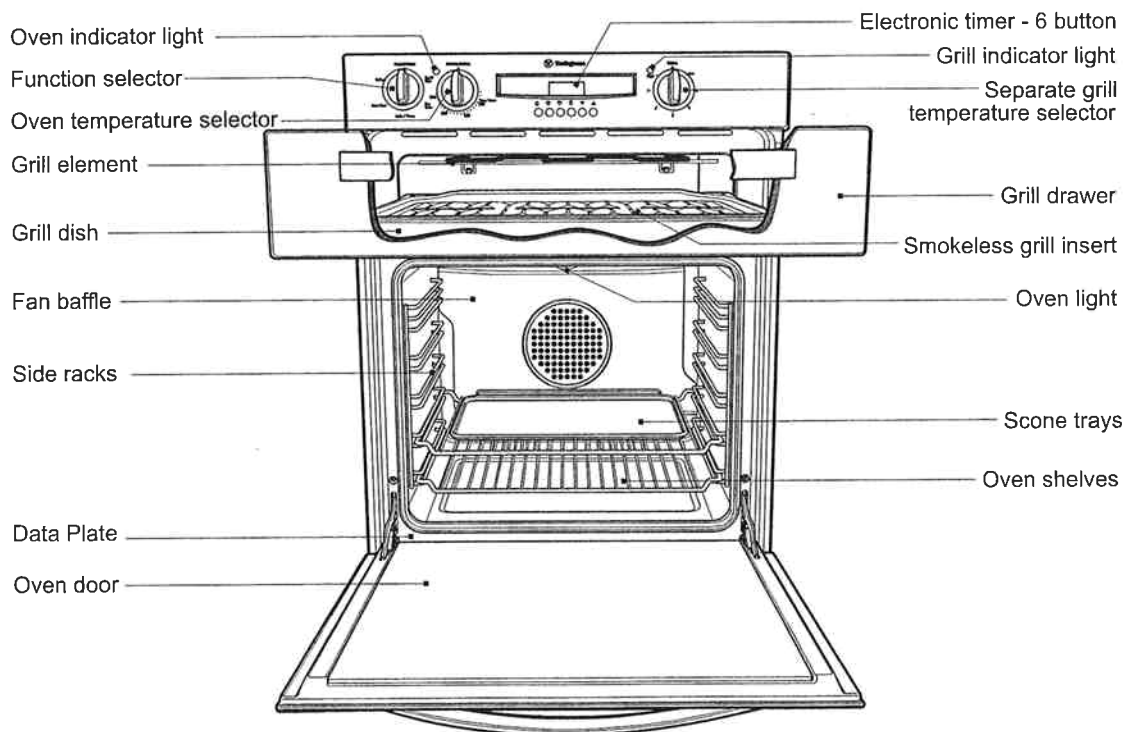
DESCRIPTION OF YOUR APPLIANCE

General view - Electric separate grill underbench

Model **PGL657** - Fan forced



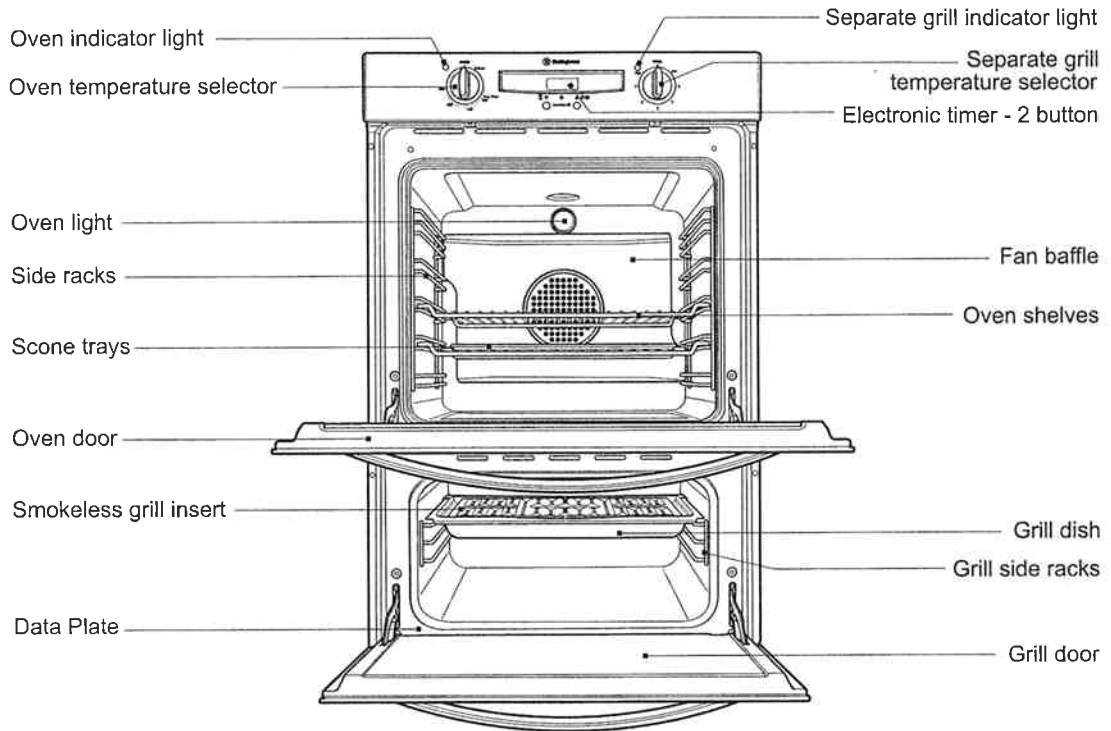
Model **PGL659** - Multifunction 5



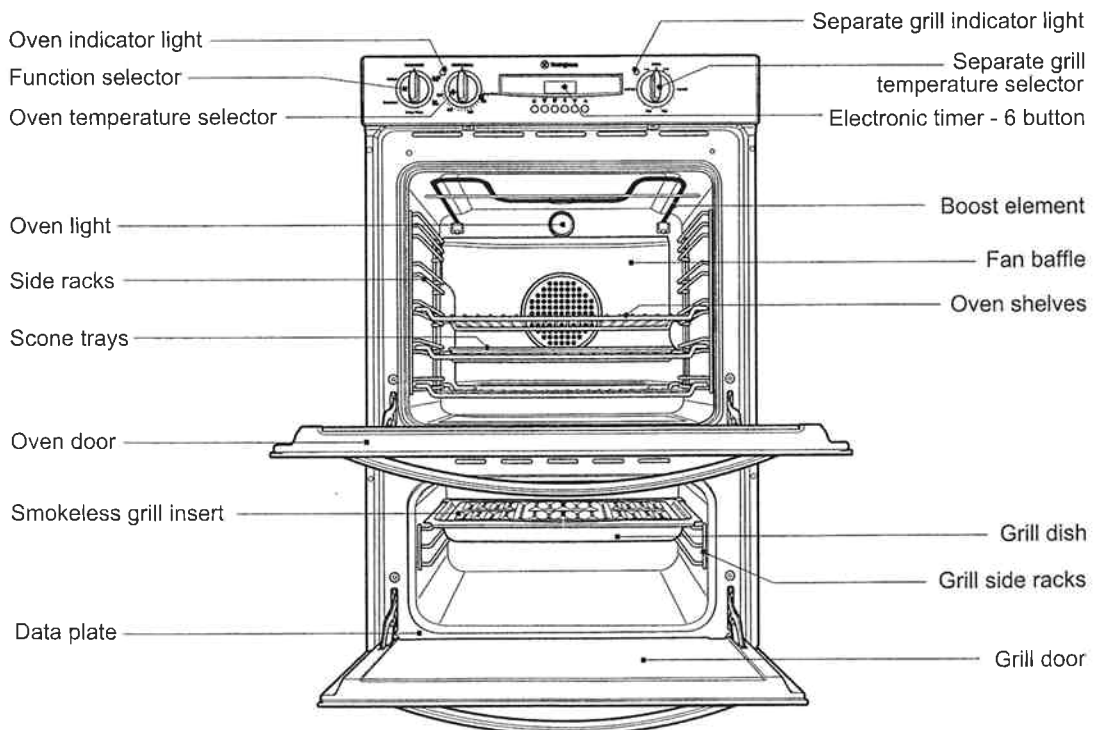
DESCRIPTION OF YOUR APPLIANCE

General view - Electric separate grill walloven

Model **PXL688** - Fan forced

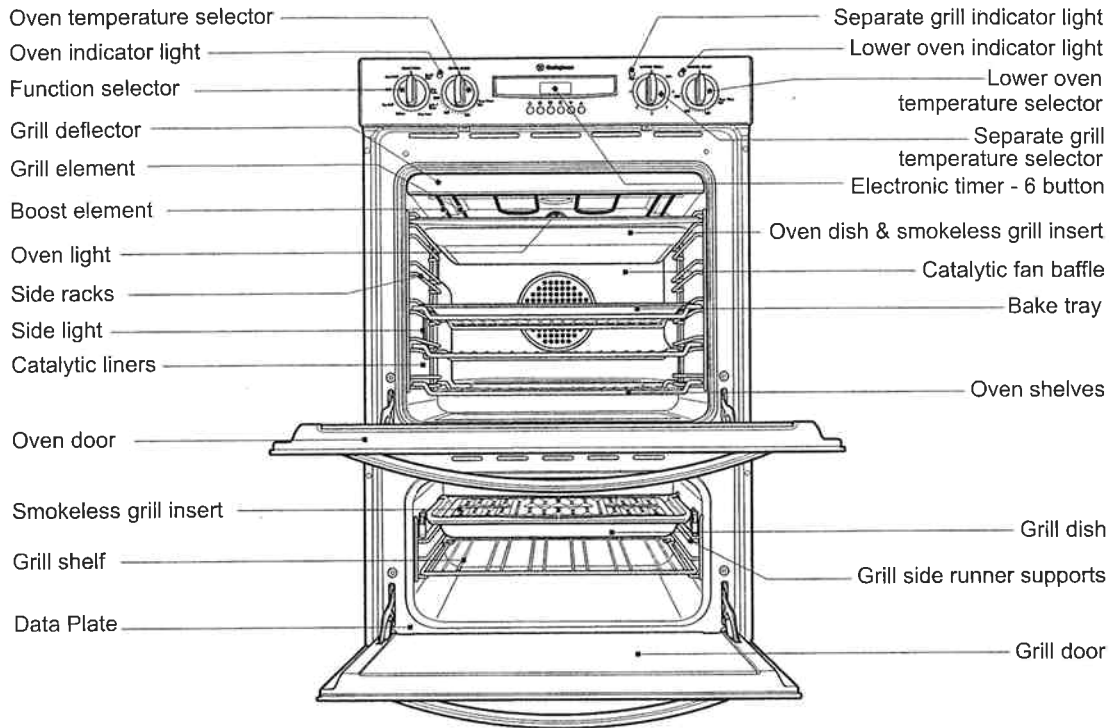


Model **PXL698** - Multifunction 5



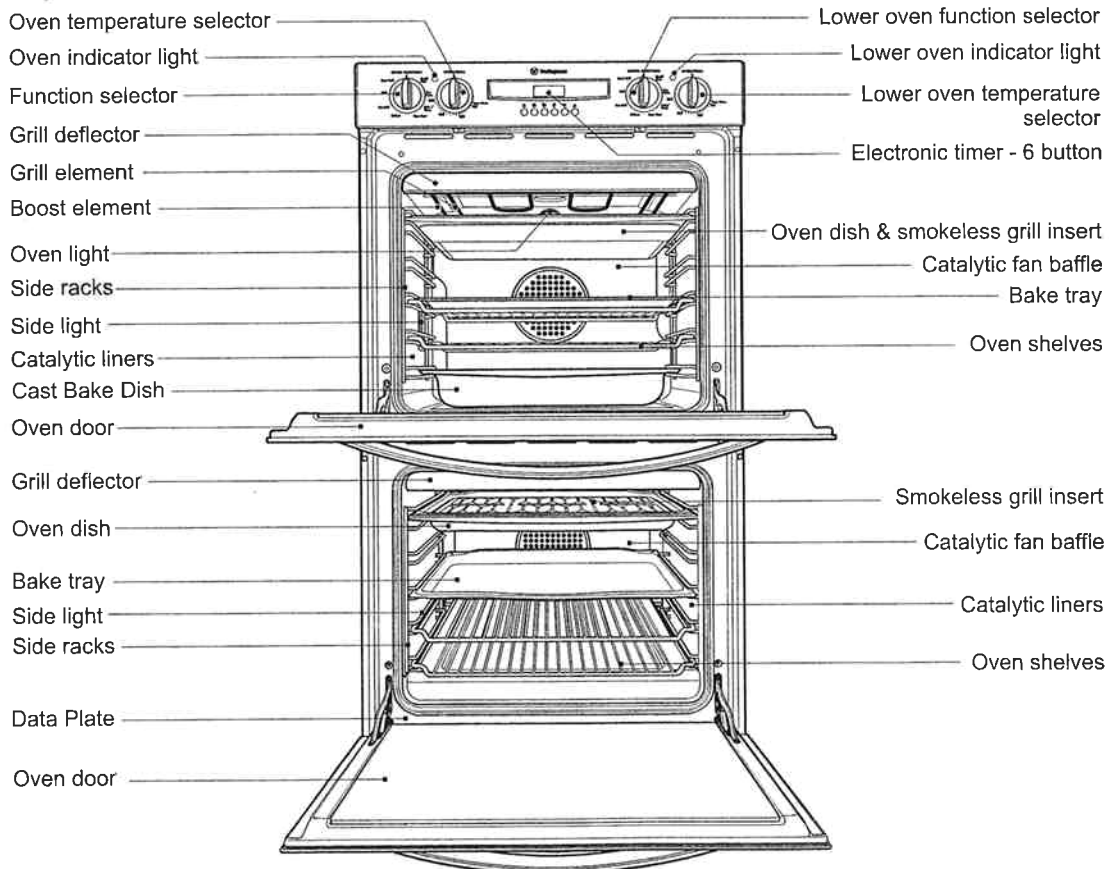
DESCRIPTION OF YOUR APPLIANCE

Model **PDL790** - Multifunction 8



General view - Electric double oven

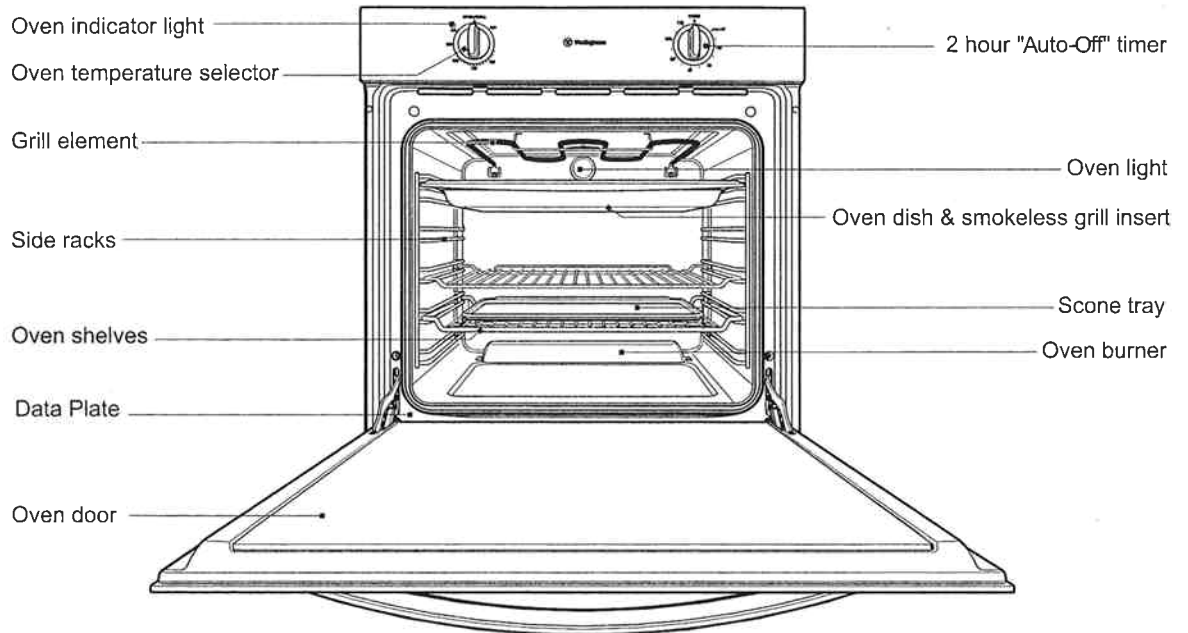
Model **PDL794** - Multifunction 8 (upper & lower ovens)



DESCRIPTION OF YOUR APPLIANCE

General view - Gas underbench with electric grill in oven

Model **GOL472** - Conventional



Model **GOL476** - Multifunction 5

